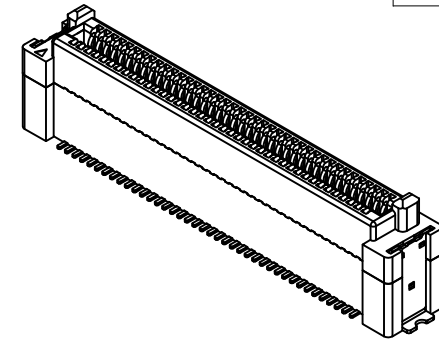
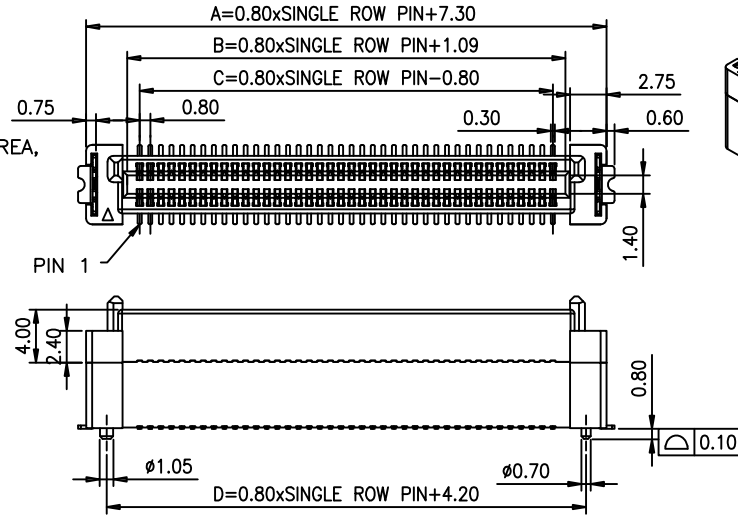


更改 REV	变更记录 MODIFICATION
A	EC05325
B	EC06731

NOTES:

1. FINISH:
 - 1.1 HOUSING: LCP BLACK,UL94V-0.
 - 1.2 CONTACT: PHOSPHOR BRONZE,GOLD (SEE P/N) PLATED IN CONTACT AREA, 80u" MIN MATTE TIN PLATED IN SOLDER AREA, 50u" MIN. NICKEL UNDERPLATED OVERALL.
 - 1.3 GROUND: BRASS,80u" MIN. MATTE TIN PLATED OVER 50u" MIN. NICKEL UNDERPLATED OVERALL.
2. ELECTRICAL:
 - 2.1 CURRENT RATING:1.5A;
 - 2.2 DIELECTRIC WITHSTANDING VOLTAGE: 500V AC/MINUTE.
 - 2.3 CONTACT RESISTANCE: 50mΩ MAX.
 - 2.4 INSULATION RESISTANCE: 1000MΩ MIN.
 - 2.5 OPERATION TEMPERATURE:-40°C TO +105°C.

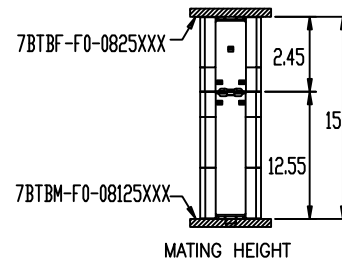
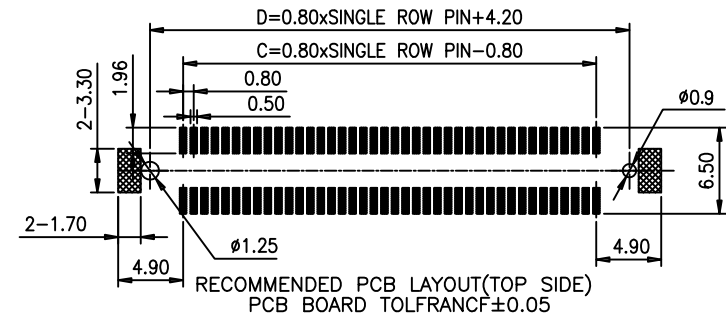
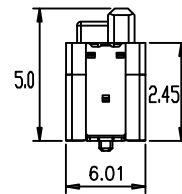
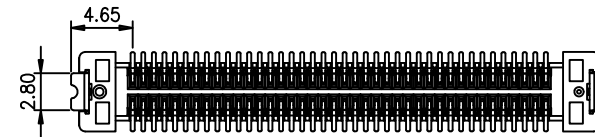


7BTBF-F0-0825XXX

TABLE1:

PIN NO:EX:40PIN-040 ; 50PIN-050...

No. OF PIN	A	B	C	D
040:2x20PIN	23.30	17.09	15.20	20.20
050:2x25PIN	27.30	21.09	19.20	24.20
060:2x30PIN	31.30	25.09	23.20	28.20
080:2x40PIN	39.30	33.09	31.20	36.20
140:2x70PIN	63.30	57.09	55.20	60.20



7BTBF-F0-0825XXX

7BTBF-F0-0825XXX

MATING HEIGHT



GENERAL TOLERANCE		KINGCONN 皇海科技股份有限公司
X± 0.50	X*± 5°	
.X± 0.30	.X*± 2°	
.XX± 0.20	.XX*± 1°	名称(TITLE) 0.8 PITCH BTB SOCKET H:2.45 MATING HEIGHT 15.0
单位(UNIT) mm	料号(PART NO.) 7BTBF-F0-0825XXX	图号(DWG NO.) 7BTBF-F0-0825XXX
审核(APPROVAL)	核对(CHECKED)	比例(SCALE) 1:1
	制图(DRAWN)	张数(SHEET) 1/1
		更改(REV) B