

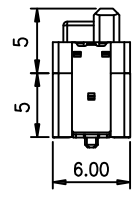
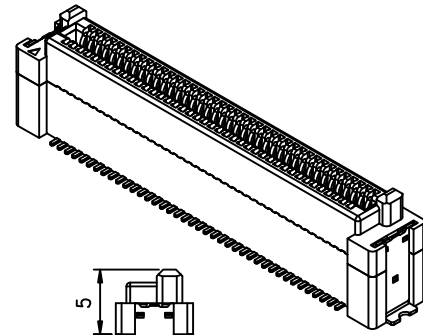
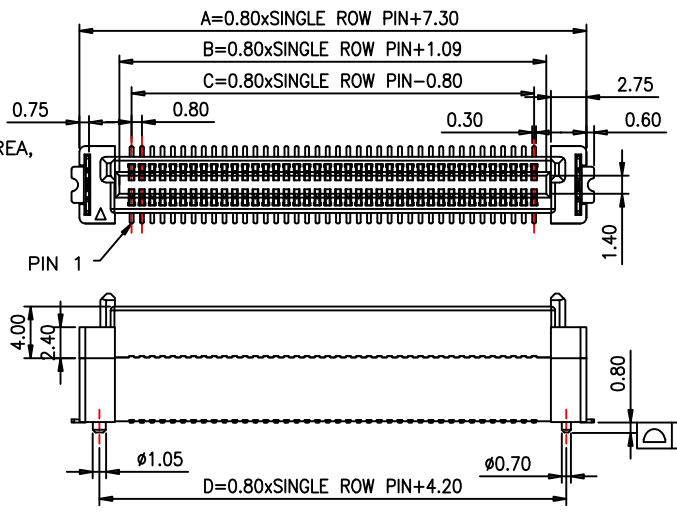
NOTES:

1. FINISH:

- 1.1 HOUSING: LCP BLACK,UL94V-0.
- 1.2 CONTACT: PHOSPHOR BRONZE,GOLD (SEE P/N) PLATED IN CONTACT AREA, 80u" MIN MATTE TIN PLATED IN SOLDER AREA, 50u" MIN. NICKEL UNDERPLATED OVERALL.
- 1.3 GROUND: BRASS,80u" MIN. MATTE TIN PLATED OVER 50u" MIN. NICKEL UNDERPLATED OVERALL.

2. ELECTRICAL:

- 2.1 CURRENT RATING:0.5A;
- 2.2 DIELECTRIC WITHSTANDING VOLTAGE: 500V AC/MINUTE.
- 2.3 CONTACT RESISTANCE: 50mΩ MAX.
- 2.4 INSULATION RESISTANCE: 1000MΩ MIN.
- 2.5 OPERATION TEMPERATURE:-40°C TO +105°C.

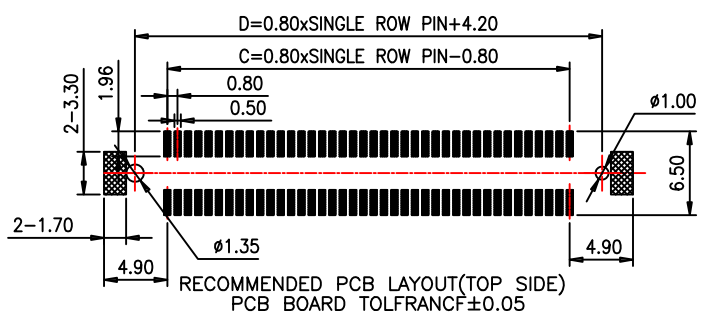
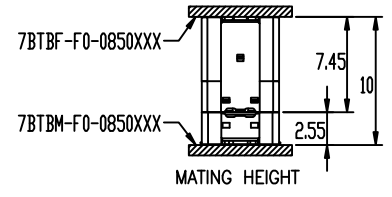
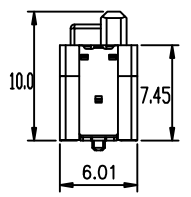
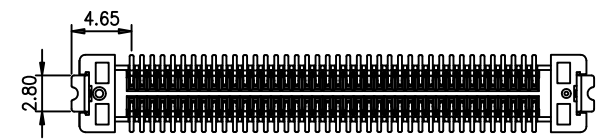


7BTBF-F0-0850XXX

TABLE1:

PIN NO:EX:40PIN-040 ; 50PIN-050...

| No. OF PIN  | A     | B     | C     | D     |
|-------------|-------|-------|-------|-------|
| 040:2x20PIN | 23.30 | 17.09 | 15.20 | 20.20 |
| 050:2x25PIN | 27.30 | 21.09 | 19.20 | 24.20 |
| 060:2x30PIN | 31.30 | 25.09 | 23.20 | 28.20 |
| 080:2x40PIN | 39.30 | 33.09 | 31.20 | 36.20 |
| 140:2x70PIN | 63.30 | 57.09 | 55.20 | 60.20 |



|                   |                              |  |
|-------------------|------------------------------|--|
| GENERAL TOLERANCE |                              | KINGCONN 皇海科技股份有限公司                                    |
| X±0.50            | X*±5°                        |  |
| .X±0.30           | .X*±2°                       |  |
| .XX±0.20          | .XX*±1°                      | 名称/TITLE: 0.8 PITCH BTB SOCKET H5.0 MATING HEIGHT 10.0 |
| 单位/UNIT: mm       | 料号/PART NO: 7BTBF-F0-0850XXX | 图号/DWG NO: 7BTBF-F0-0850XXX                            |
| 审核/APPVAL:        | 核准/CHECKED:                  | 制图/DRAWN:  |
| 比例/SCALE: 1:1     |                              | 张数/SHEET: 1/1  |
| A3 更改/REV: A      |                              | 更改/REV: A  |

