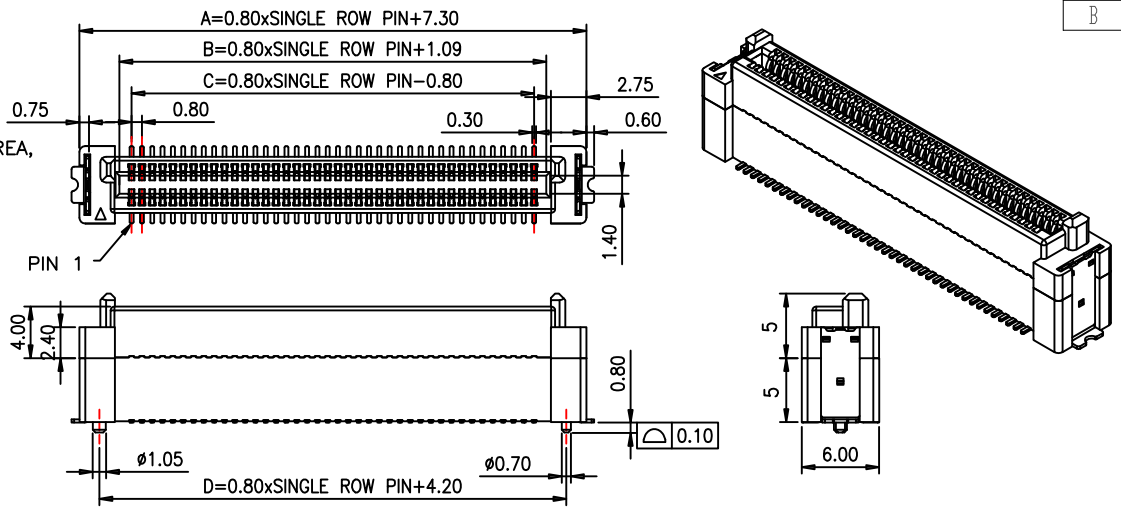


更改 REV	设计代号
A	EC05325
B	EC06731

NOTES:

- FINISH:
 - HOUSING: LCP BLACK,UL94V-0.
 - CONTACT: PHOSPHOR BRONZE,GOLD (SEE P/N) PLATED IN CONTACT AREA, 80u" MIN MATTE TIN PLATED IN SOLDER AREA, 50u" MIN. NICKEL UNDERPLATED OVERALL.
 - GROUND: BRASS,80u" MIN. MATTE TIN PLATED OVER 50u" MIN. NICKEL UNDERPLATED OVERALL.
- ELECTRICAL:
 - CURRENT RATING:0.5A;
 - DIELECTRIC WITHSTANDING VOLTAGE: 500V AC/MINUTE.
 - CONTACT RESISTANCE: 50mΩ MAX.
 - INSULATION RESISTANCE: 1000MΩ MIN.
 - OPERATION TEMPERATURE:-40°C TO +105°C.

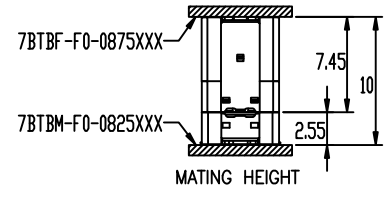
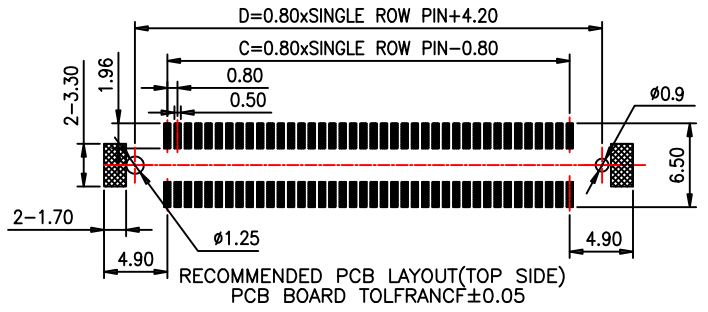
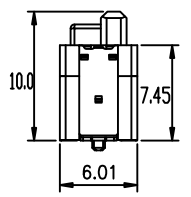
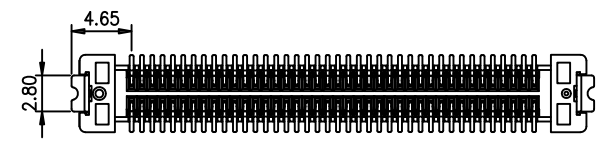


7BTBF-F0-0875XXX

TABLE1:

PIN NO:EX:40PIN-040 ; 50PIN-050...

No. OF PIN	A	B	C	D
040:2x20PIN	23.30	17.09	15.20	20.20
050:2x25PIN	27.30	21.09	19.20	24.20
060:2x30PIN	31.30	25.09	23.20	28.20
080:2x40PIN	39.30	33.09	31.20	36.20
140:2x70PIN	63.30	57.09	55.20	60.20



GENERAL TOLERANCE		KINGCONN 皇海科技股份有限公司
X±0.50	X*±5°	
.X±0.30	.X*±2°	
.XX±0.20	.XX*±1°	名 称(TITLE) 0.8 PITCH BTB SOCKET H:7.45 MATING HEIGHT 10.0
单 位(UNIT) mm	料 号(PART NO.) 7BTBF-F0-0875XXX	图 号(DWG NO.) 7BTBF-F0-0875XXX
审 核(APPROVAL)	检 核(CHECKED)	制 图(DRAWN)
SCALE 1:1		张 数 1/1
PROJ.		更改 REV B

