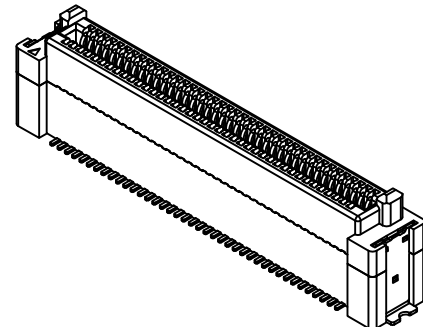
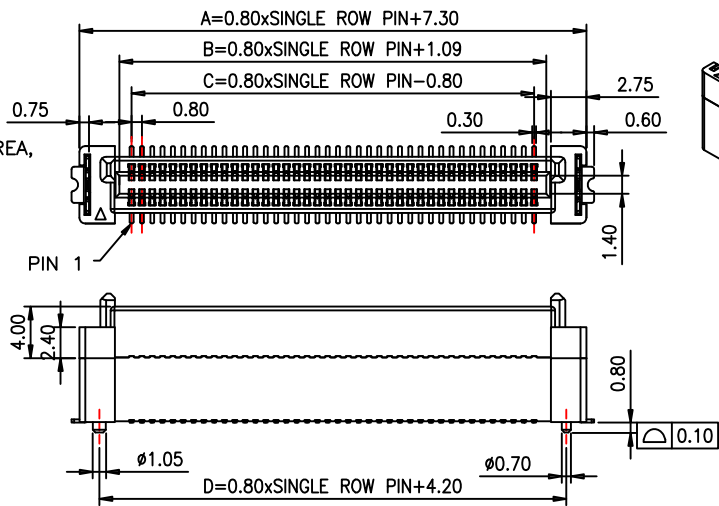


更改 REV	设计代号 MODIFICATION
A	ECXXXXX

- NOTES:
- FINISH:
    - HOUSING: LCP BLACK,UL94V-0.
    - CONTACT: PHOSPHOR BRONZE,GOLD (SEE P/N) PLATED IN CONTACT AREA, 80u" MIN MATTE TIN PLATED IN SOLDER AREA, 50u" MIN. NICKEL UNDERPLATED OVERALL.
    - GROUND: BRASS,80u" MIN. MATTE TIN PLATED OVER 50u" MIN. NICKEL UNDERPLATED OVERALL.
  - ELECTRICAL:
    - CURRENT RATING: 0.5A;
    - DIELECTRIC WITHSTANDING VOLTAGE: 500V AC/MINUTE.
    - CONTACT RESISTANCE: 50mΩ MAX.
    - INSULATION RESISTANCE: 1000MΩ MIN.
    - OPERATION TEMPERATURE:-40°C TO +105°C.



7BTBF-F0-08XXXXX

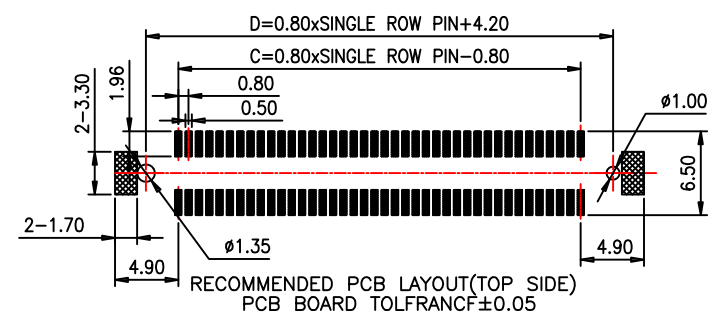
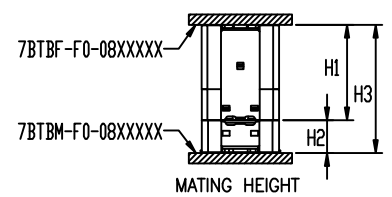
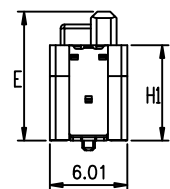
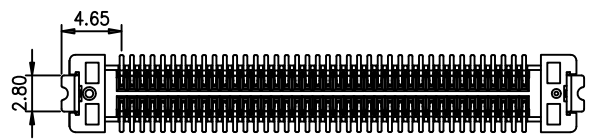
TABLE1:

PIN NO:EX:40PIN-040 ; 50PIN-050...

No. OF PIN	A	B	C	D
040:2x20PIN	23.30	17.09	15.20	20.20
050:2x25PIN	27.30	21.09	19.20	24.20
060:2x30PIN	31.30	25.09	23.20	28.20
080:2x40PIN	39.30	33.09	31.20	36.20
140:2x70PIN	63.30	57.09	55.20	60.20

TABLE2:H1:2.45>25;H1:3.45>35;H1:7.45>75

MATING HEIGHT	E	H1	H2	H3
5.00mm	5.00	2.45	2.55	5.00
10.00mm			7.55	10.00
15.00mm			12.55	15.00
6.00mm	6.00	3.45	2.55	6.00
11.00mm			7.55	11.00
16.00mm			12.55	16.00
10.00mm	10.00	7.45	2.55	10.00
15.00mm			7.55	15.00
20.00mm			12.55	20.00



GENERAL TOLERANCE		KINGCONN 皇海科技股份有限公司
X±0.50	X*±5°	
.X±0.30	.X*±2°	
.XX±0.20	.XX*±1°	名 称(TITLE) 0.8 PITCH BTB SOCKET
单 位(UNIT) mm	料 号(PART NO) 7BTBF-F0-08XXXXX	图 号(DWG NO) 7BTBF-F0-08XXXXX
审 核(APPROVAL)	核 对(CHECKED)	制 图(DRAWN)
SCALE 1:1		张 数 1/1
PROJ.		更改 REV A