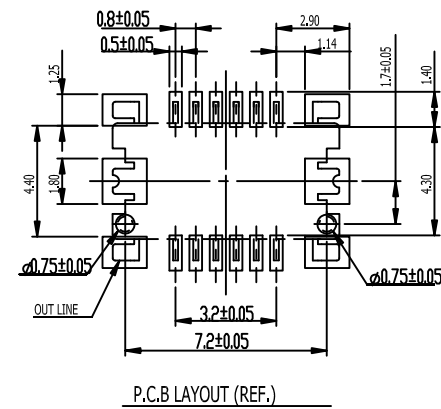
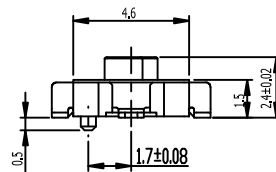
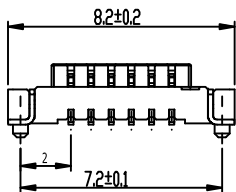
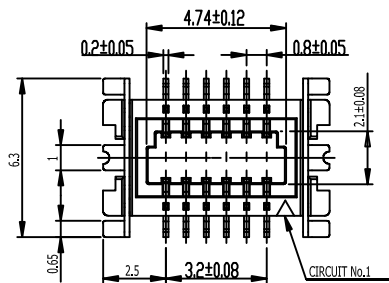
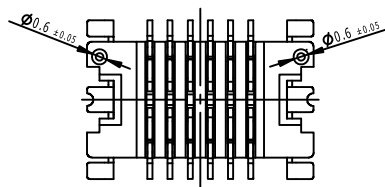


更改 REV	变更 MODIFICATION
A	ECXXXXX



\* COPLANARITY OF SMT TERMINAL IS 0.1mm MAX.



Notes:

MATERIAL:

INSULATOR: THERMOPLASTIC HIGH-TEMP NATURE UL 94V-0.

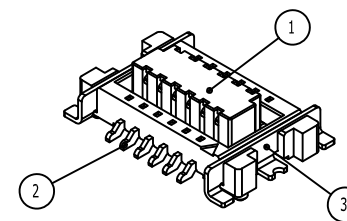
CONTACT: COPPER ALLOY

HOLD DOWN: COPPER ALLOY

Plating Type:

CONTACT: Tin over Nickel(RoHS Compliant )

HOLD DOWN: Tin over Nickel(RoHS Compliant )



GENERAL TOLERANCE		KINGCONN 皇海科技股份有限公司	
X± 0.50	X*± 5°	名 (TITLE) B to B Connectors PITCH0.8 10PIN female	
.X± 0.30	.X*± 2°		
.XX± 0.20	.XX*± 1°		
单 (UNIT) mm	料 (PART NO.) 7BTBF-F4-0810	图 (DWG NO.) 7BTBF-F4-0810	
审核 (APPROVAL)	检查 (CHECKED)	制图 (DRAWN)	比例 (SCALE) 1:1 张数 (SHEET) 1/1 更改 (REV) A

