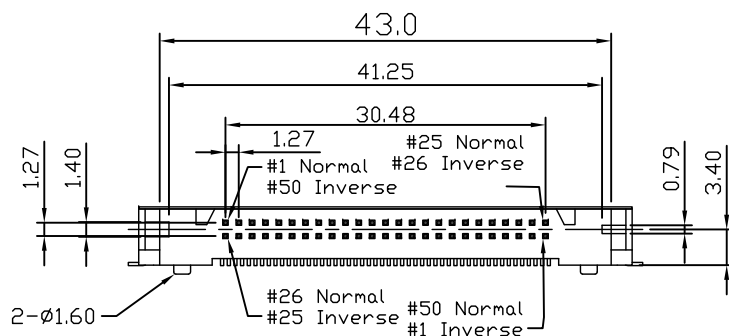
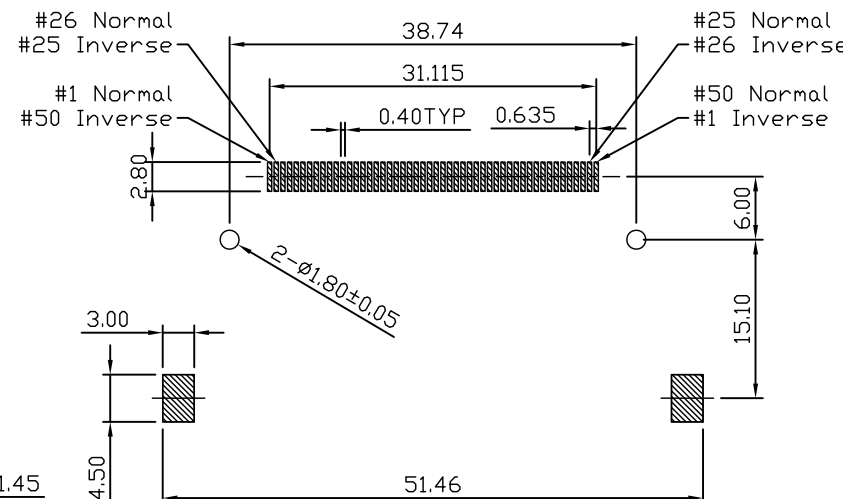
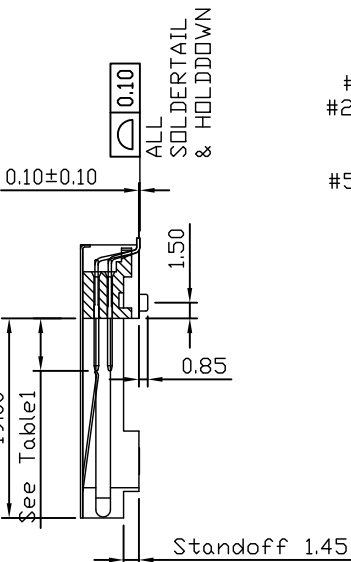
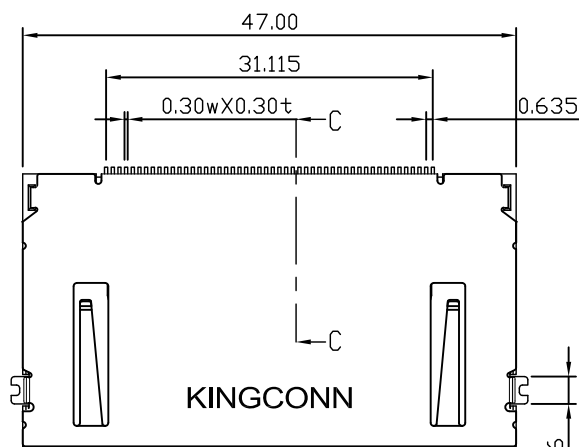
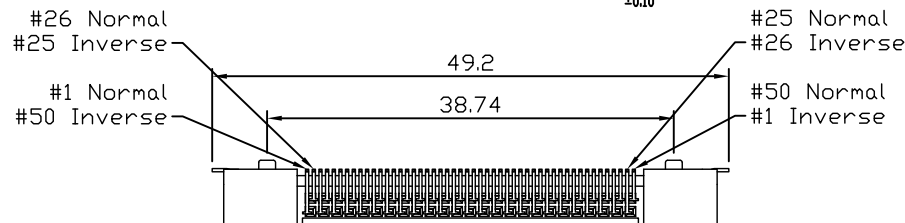


Pin Type	Interface Dim.	Pin No.
Detect	3.50mm (0.138in)	25,26
General	4.25mm (0.167in)	The Others
Power	5.00mm (0.197in)	01,13,38,50

更改 REV	設備內容 MODIFICATION
A	ECN03779

NOTE:
 1.MATERIAL:
 HOUSING: HIGH TEMPERATURE THERMOPLASTIC
 COLOR: BLACK
 CONTACTS: COPPER ALLOY,
 SHELL: SUS 304

2.FINISH:
 CONTACT: GOLD FLASH



RECOMMENDED P.C.B. LAYOUT
 TOLERANCE: ±0.05

GENERAL TOLERANCE		KINGCONN 皇海科技股份有限公司	
X± 0.50	X*± 5°	名稱/TITLE CF Card Header Slim Type, Standoff 1.45mm Post Pitch 38.74mm, With Shell	
.X± 0.30	.X*± 2°		
.XX± 0.20	.XX*± 1°		
單位(UNIT) mm	料號(PART NO.) 7CFHC-FA-0002	圖號(DWG NO.) 7CFHC-FA-0002-A	
審核(APPROVAL)	核對(CHECKED)	製圖(DRAWN)	比例 SCALE 1:1
			張數 SHEET 1/1
			更改 REV A

