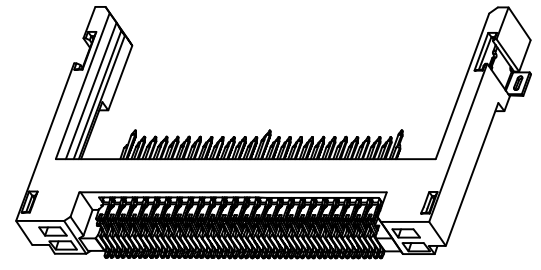
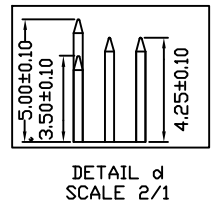
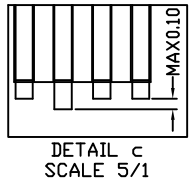
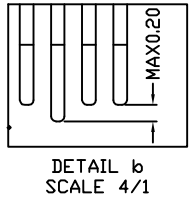
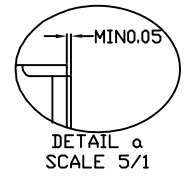
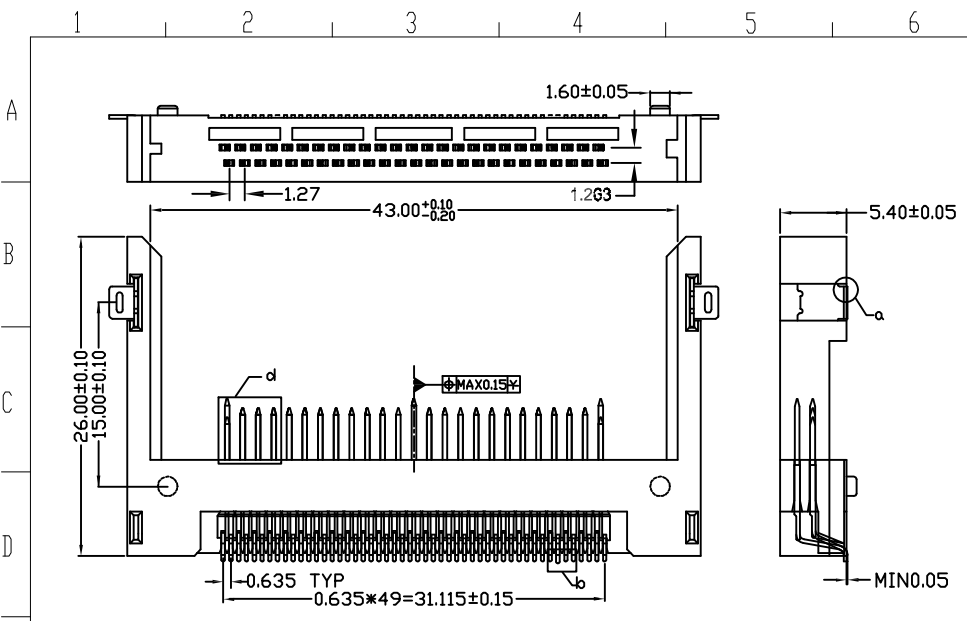
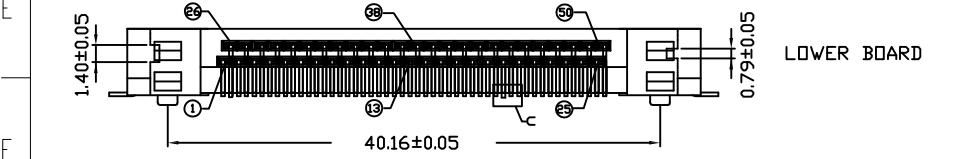


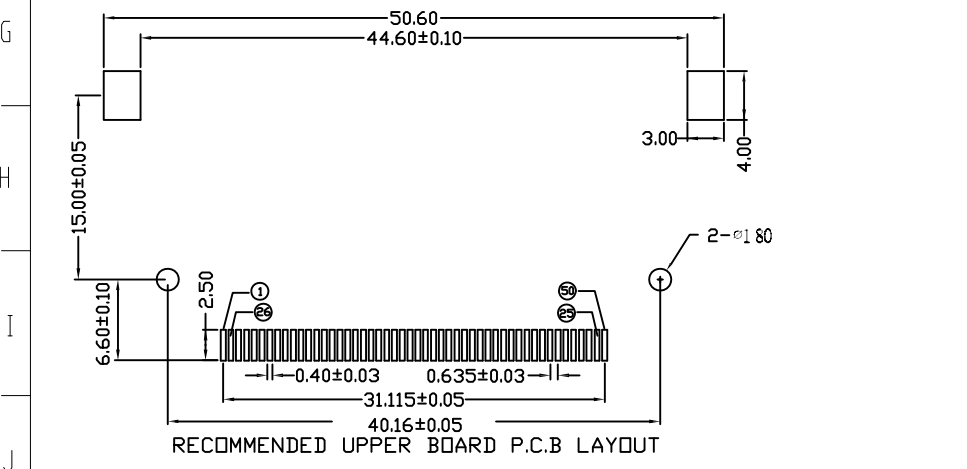
更改 REV	数量 MODIFICATION
A	ECXXXX



- NOTES:
- MATERIAL :
 INSULATOR : HI-TEMP. PLASTIC (UL 94V-0)
 COLOR : YELLOW/BLACK
 CONTACT : BRASS
 MOUNT EAR : BRASS
 COVER : STAINLESS STEEL
 - PLATING :
 CONTACT AREA : GOLD FLASH;
 5U" GOLD;15U" GOLD;
 UNDER PLATING : NICKEL OVERALL
 SOLDER TAIL AREA : TIN
 MOUNT EAR AREA : TIN



LOWER BOARD



RECOMMENDED UPPER BOARD P.C.B LAYOUT

PIN NUMBER	DIM L
25 26	3.50
ALL OTHER PINS	4.25
1 13 38 50	5.00



GENERAL TOLERANCE		KINGCONN 皇海科技股份有限公司	
X± 0.50	X*± 5°	名 (TITLE) CF connector reverse type post 40.16mm L=19mm H=5.4 G/F	
.X± 0.30	.X*± 2°		
.XX± 0.20	.XX*± 1°		
单 (UNIT) mm	料 (PART NO) 7CFHD-F9-4155	图 (DWG NO) 7CFHD-F9-4155	
审核 (APPROVAL)	检查 (CHECKED)	制图 (DRAWN)	比例 (SCALE) 1:1
			张数 (SHEET) 1/1
			更改 (REV) E