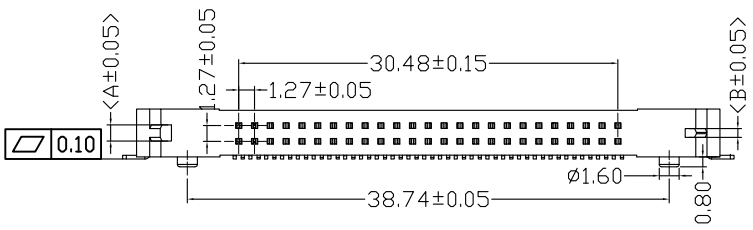
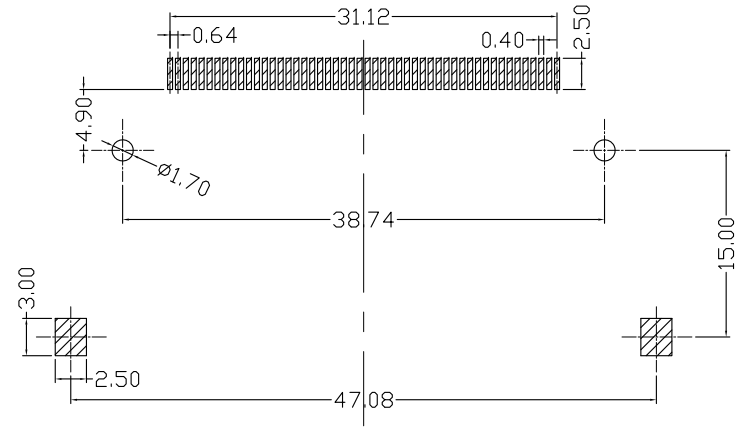
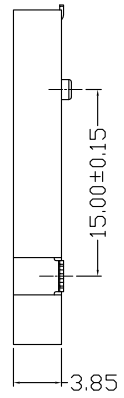
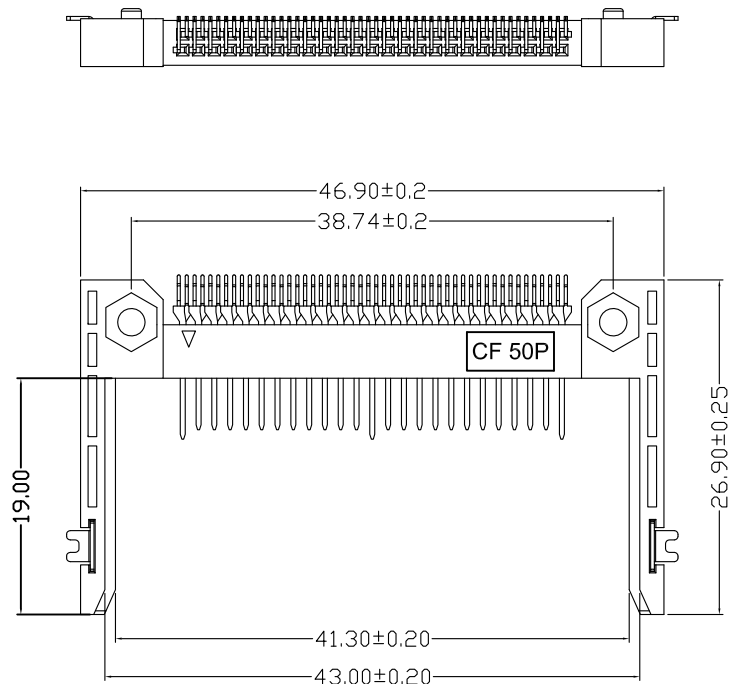


更改 REV	變更內容 MODIFICATION
A	ECN04016

Recommended P.C.B Layout(Top Side)



NOTES:  
 Current Rating: 0.5A AC,DC  
 Temperature Range: -20°C~+60°C  
 Contact Resistance: 40mΩ max  
 Insulation Resistance: 1000MΩ min  
 Withstanding Voltage: 500V AC/minute  
 Material: LCP UL 94V-0  
 7CFHD-FX-0010  
 A:White  
 9:Black



GENERAL TOLERANCE		KINGCONN 皇海科技股份有限公司	
X± 0.50	X*± 5°	名稱(TITLE) CF CONNECTOR NORMAL TYPE POST 38.74mm, ARM=19mm	
.X± 0.30	.X*± 2°		
.XX± 0.20	.XX*± 1°		
單位(UNIT)	料號(PART NO.)	圖號(DWG NO.)	
mm	7CFHD-FX-0010	7CFHD-FX-0010-A	
審核(APPROVAL)	核對(CHECKED)	製圖(DRAWN)	比例(SCALE) 1:1
			張數(SHEET) 1/1
			更改(REV) A