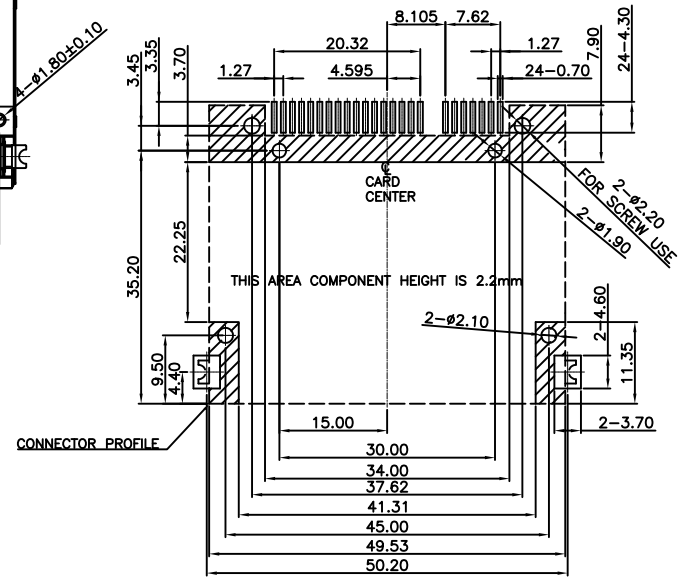
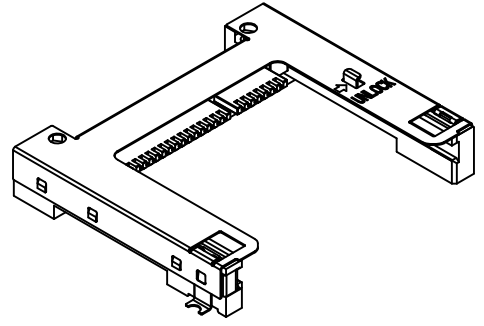
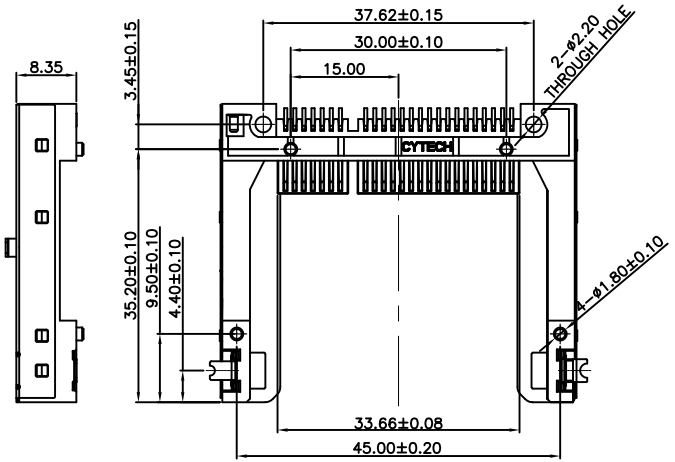
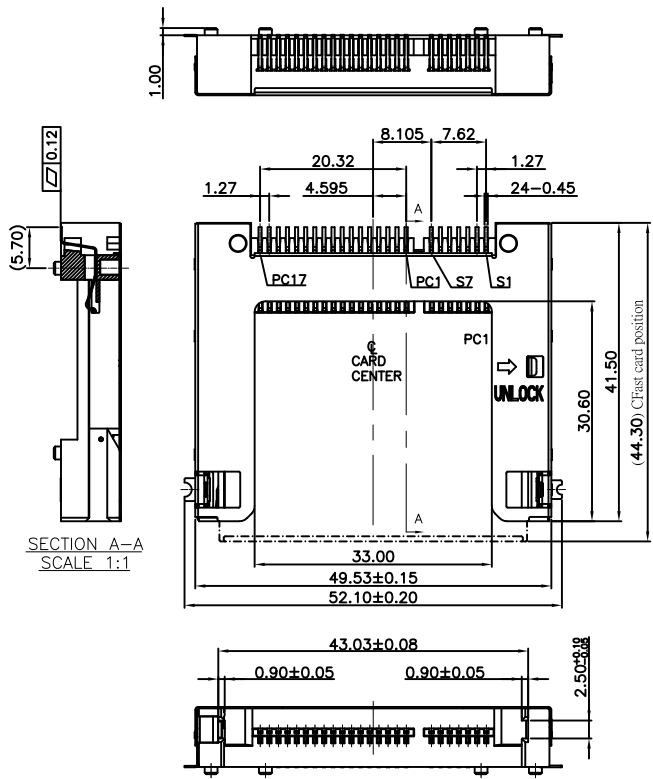


更改 REV	變更內容 MODIFICATION
A	ECXXXXX



- NOTES:
- MATERIAL:
 - HOUSING: HIGH TEMPERATURE THERMOPLASTIC; COLOR IN BLACK, UL94V-0 RATED.
 - CONTACT: HIGH PERFORMANCE COPPER ALLOY, 0.2mm THICKNESS
 - METAL COVER: STAINLESS STEEL 304, 0.2mm THICKNESS
 - CONTACT FINISH: UNDERPLATING NICKEL 50u" OVERALL. 10u" GOLD ON CONTACT AREA, LEAD FREE TIN 100u" ON SOLDER TAIL.
 - OPERATING TEMPERATURE: -40°C~+85°C
 - PACKING: TRAY PACKING

TOLERANCE: ±0.10
RECOMMENDED P.C. BOARD LAYOUT

GENERAL TOLERANCE		KINGCONN 皇海科技股份有限公司
X± 0.50	X*± 5°	
X± 0.30	X*± 2°	
XX± 0.20	XX*± 1°	名稱(TITLE) CONNECTOR FOR C-FAST HOST TYPE R/A SMT NORMAL TYPE
單位(UNIT) mm	料號(PART NO.) 7CFST-CA-0002	圖號(DWG NO.) 7CFST-CA-0002-A
審核(APPROVAL)	核對(CHECKED)	製圖(DRAWN)
SCALE 1:1		張數(SHEET) 1/1
圖例(SYMBOL)		更改(REV) A

