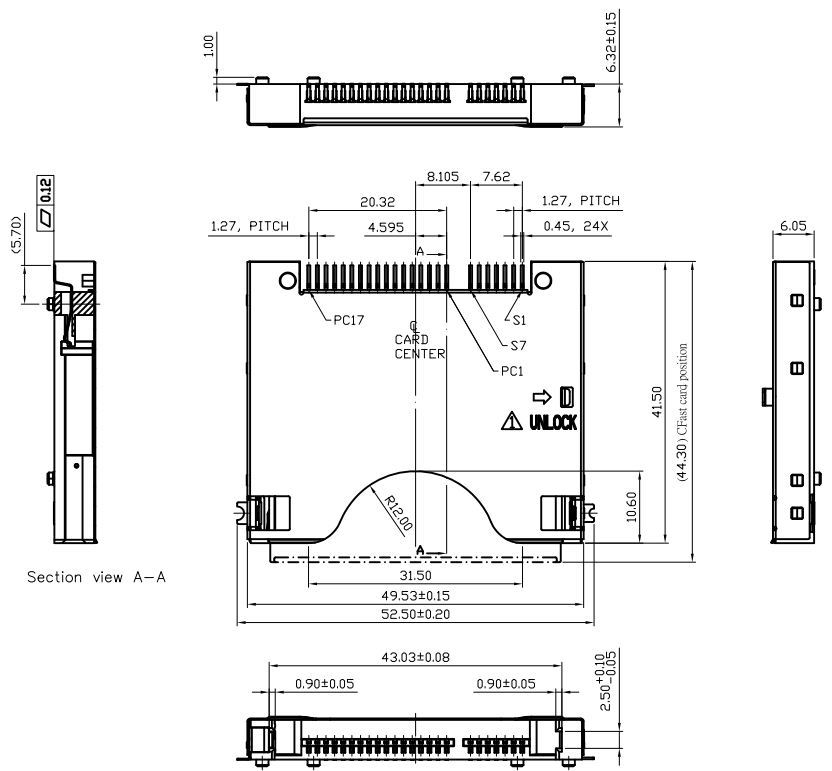
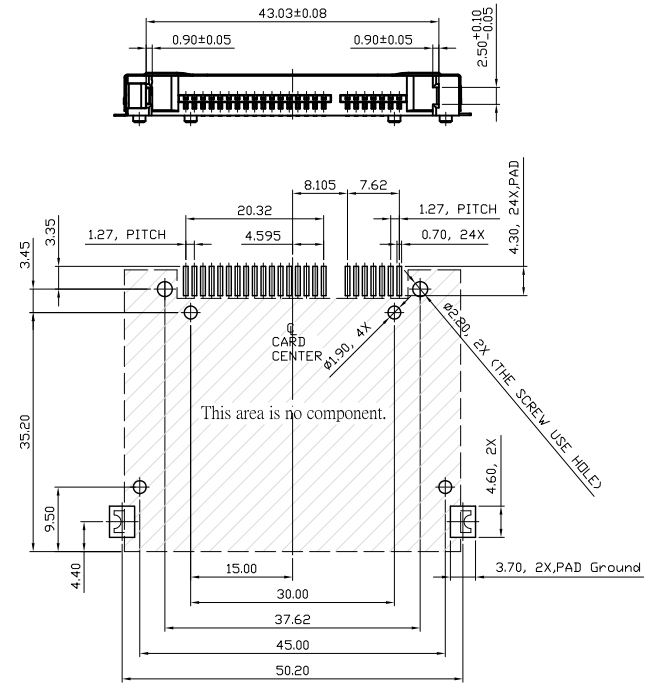
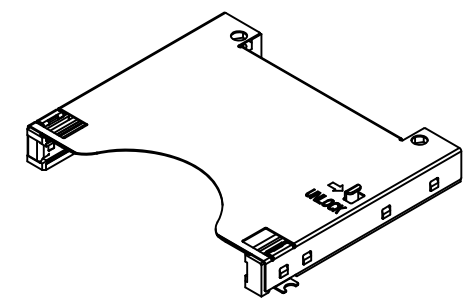
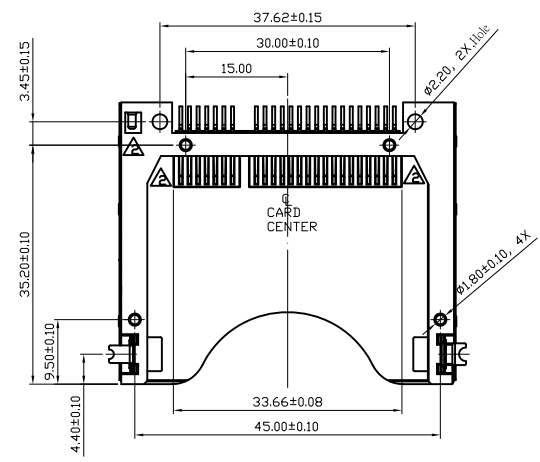


1 2 3 4 5 6 7 8 9 10 11 12

A
B
C
D
E
F
G
H
I
J



Section view A-A



- NOTES: 1. MATERIAL:
 1-1 Housing : Engineering plastic , LCP with G.F reinforced , black per UL 94V-0 rate.
 1-2 Terminal : Phosphor Bronze , per JIS 5210 , 0.2t
 1-3 Metal cover : Stainless steel sheet SUS304 0.2t.
2. PLATING:
 Solder zone: 2.54 μ m (100 μ ") matte Tin 1.27 μ m (50 μ ") min. Nickel underplating over all.
3. RoHS compliant products.
4. OPERATING TEMPERATURE: -40°C~+85°C

GENERAL TOLERANCE		KINGCONN 皇海科技股份有限公司	
X± 0.50	X*± 5 °	名 稱(TITLE) CFAST HOST CONNECTOR LOCK TYPE II.	
.X± 0.30	.X*± 2 °		
.XX± 0.20	.XX*± 1 °		
單位(UNIT)	料 號(PART NO.)	圖 號(DWG NO.)	
mm	7CFST-CA-0017	7CFST-CA-0017-A	
審核(APPROVAL)	核 對(CHECKED)	製 圖(DRAWN)	比 例 SCALE 1:1 張數 SHEET 1 / 1
			更改 REV A



1 2 3 4 5 6 7 8 9 10 11 12