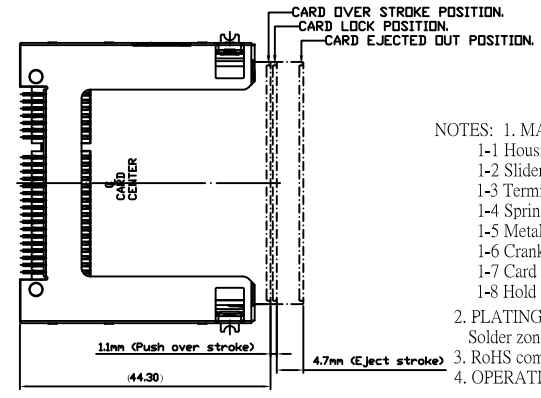
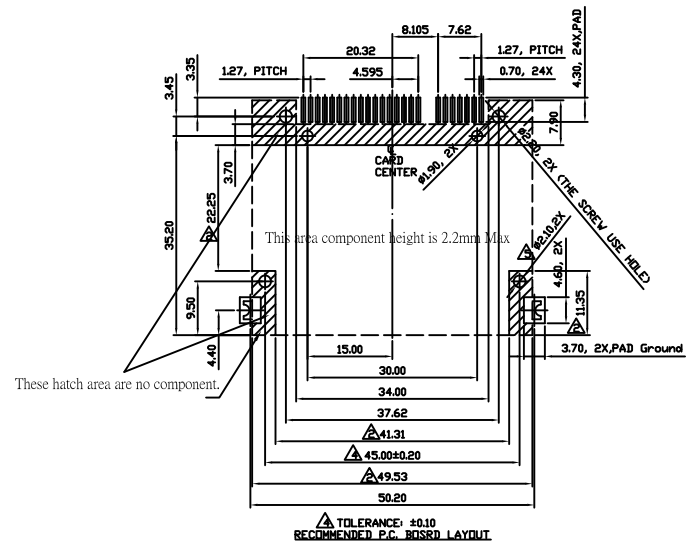
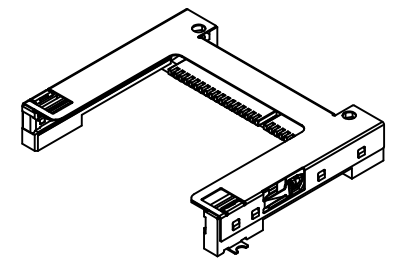
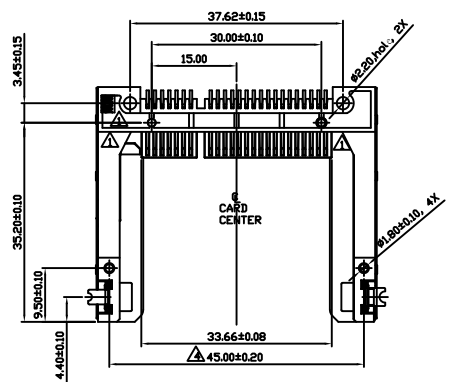
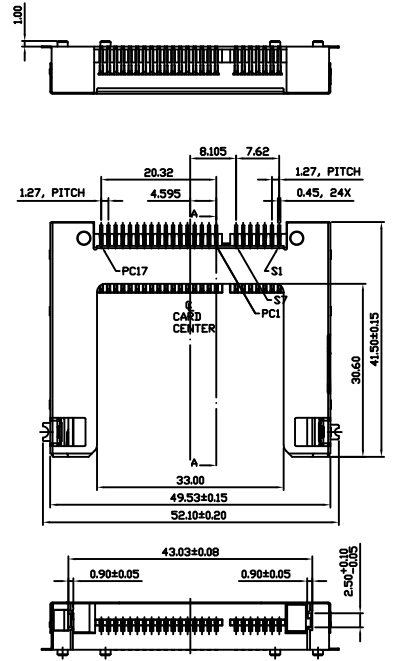


Section view A-A



- NOTES: 1. MATERIAL:
- 1-1 Housing : Engineering plastic , LCP with G.F reinforced , black per UL 94V-0 rate.
  - 1-2 Slider : Engineering plastic , LCP with G.F reinforced , black per UL94 V-0 rate.
  - 1-3 Terminal : Phosphor Bronze , per JIS 5210 , 0.2t
  - 1-4 Spring : Piano thread
  - 1-5 Metal cover : Stainless steel sheet SUS304 0.2t.
  - 1-6 Crank : Stainless rod SUS 304.
  - 1-7 Card lock : Stainless steel SUS 304.
  - 1-8 Hold down : Phosphor Bronze , per JIS 5210 , 0.2t
2. PLATING:  
Solder zone: 2.54 μm (100 μ") matte Tin, 1.27 μm (50 μ") min. Nickel underplating over all.
3. RoHS compliant products.
4. OPERATING TEMPERATURE: -40°C~+85°C

GENERAL TOLERANCE		KINGCONN 皇海科技股份有限公司	
X ± 0.50	X* ± 5 °	名稱(TITLE) <b>CFAST HOST CONNECTOR PUSH-PUSH TYPE II,8.35H(缺口型)</b>	
.X ± 0.30	.X* ± 2 °		
.XX ± 0.20	.XX* ± 1 °		
單位(UNIT) mm	料號(PART NO.) <b>7CFST-CA-0022</b>	圖號(DWG NO.) <b>7CFST-CA-0022-A</b>	
審核(APPROVAL)	核對(CHECKED)	製圖(DRAWN)	比例 SCALE 1:1
			張數 SHEET 1 / 1
			更改 REV A

