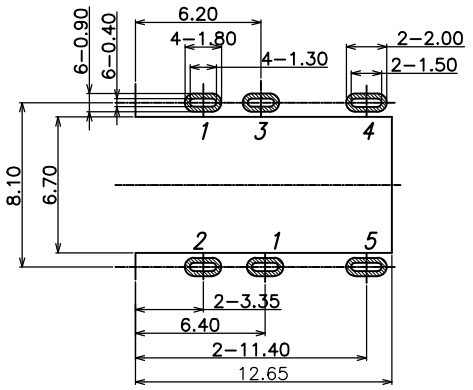
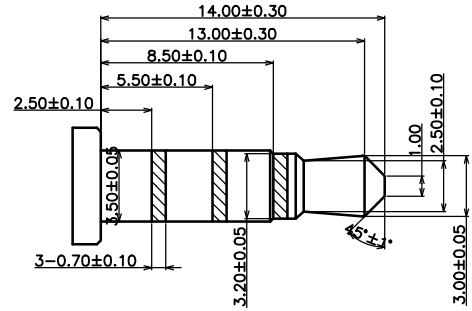
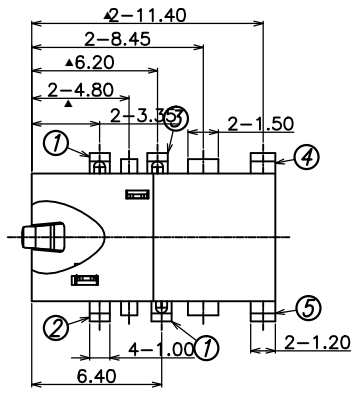


更改 REV	變更內容 MODIFICATION
A	ECXXXX



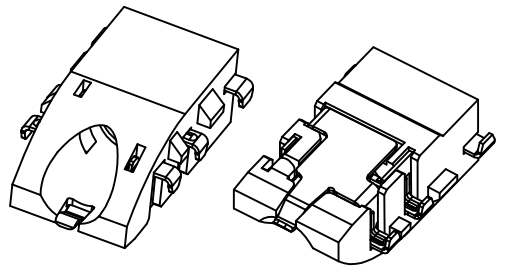
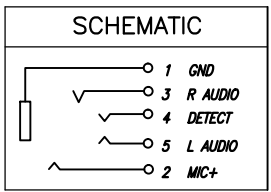
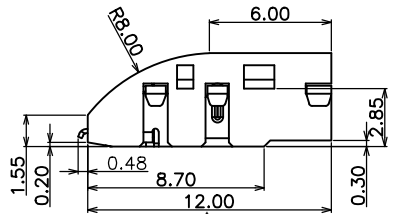
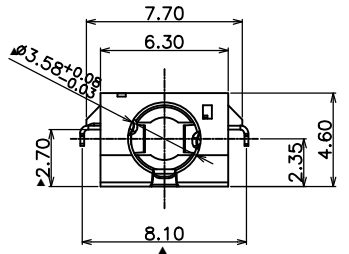
PCB LAYOUT TOP VIEW
TOLERANCE:±0.05



PLUG SPEC

NOTES:

- 1) MATERIAL:
HOUSING: THERMOPLASTIC,UL 94V-0, COLOR:BLACK
CONTACT: COPPER ALLOY
- 2) FINISH
CONTACT: GOLD FLASH
- 3) PRODUCT SPECIFICATIONS:
3-1 WITHSTANDING:500V AC /MINUTE
3-2 CONTACT RESISTANCE:30 millioHM(INITIAL) Max.
3-3 INSULATION RESISTANCE:100MEGOHM Min
3-4 INSERTION FORCE:2.22Kg Max (INITIAL)
3-5 WITHDRAWAL FORCE:0.22Kg Min (INITIAL)
3-6 DURABILITY:5000 CYCLES



1	Contact ①	COPPER ALLOY	Gold FLASH	1	
2	Contact ②	COPPER ALLOY		1	
3	Contact ③	COPPER ALLOY		1	
4	Contact ④	STAINLESS STEEL		1	
5	Contact ⑤	STAINLESS STEEL		1	
6	Housing	THERMOPLASTIC,UL 94V-0, COLOR:BLACK		1	
ITEM	NAME	MATERIAL	FINISH	Q'ty	REMARK

GENERAL TOLERANCE		KINGCONN 皇海科技股份有限公司
X± 0.50	X*± 5°	
.X± 0.30	.X*± 2°	
.XX± 0.20	.XX*± 1°	名稱(TITLE) 3.5斜頭沉板DIP TYPE 沉板 2.7
單位(UNIT) mm	料號(PART NO.) 7DCJK-F0-0013	圖號(DWG NO.) 7DCJK-F0-0013
審核(APPROVAL)	核對(CHECKED)	製圖(DRAWN)
SCALE 1:1		張數 SHEET 1 / 1
製圖(DWG NO.)		更改 REV A

