

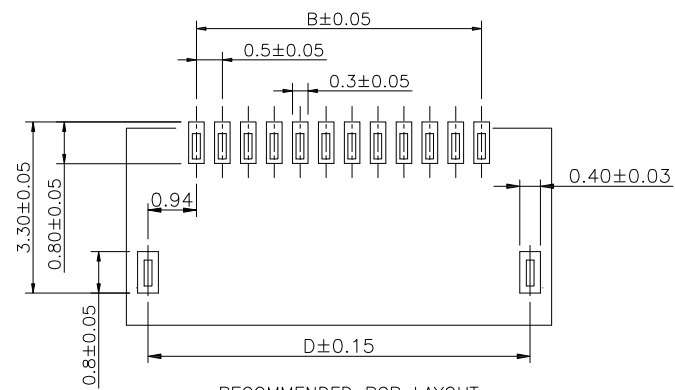
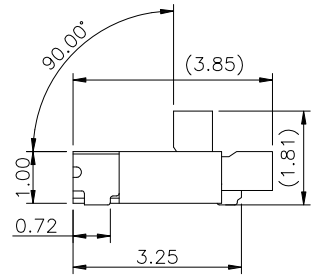
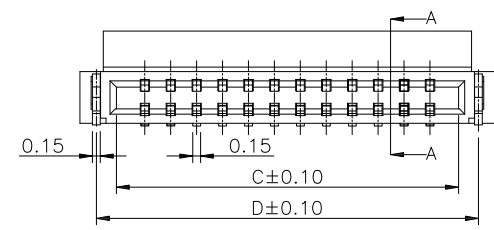
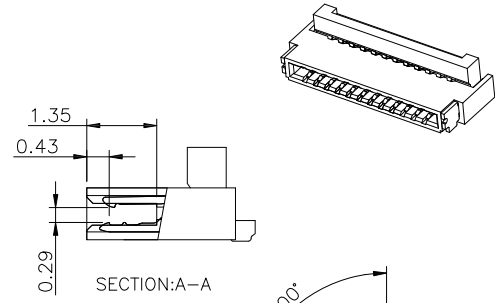
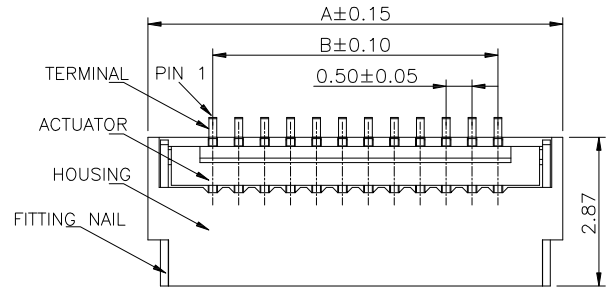
更改 REV	数量 MODIFICATION
A	ECXXXX

Specifications:
Housing:LCP UL94-V0 Color:Nature
Cover:LCP UL94-V0 Color:Black
Contact:Phosphor Bronze
Operating Voltage:50V AC/DC
Current Rating:0.5A AC/DC
Withstand Voltage:250V AC/Minute
Contact Resistance: $\leq 20m\Omega$
Insulation resistance: $\geq 100M\Omega$
Operating Temperature: $-25^{\circ}C \sim +85^{\circ}C$

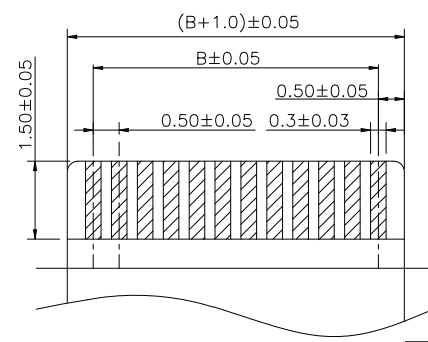
7FPC7-F0-10XX

Pin No.

PIN	A	B	C	D	PIN	A	B	C	D
4	4.00	1.50	2.60	3.37	33	18.50	16.00	17.10	17.87
5	4.50	2.00	3.10	3.87	34	19.00	16.50	17.60	18.37
6	5.00	2.50	3.60	4.37	35	19.50	17.00	18.10	18.87
7	5.50	3.00	4.10	4.87	36	20.00	17.50	18.60	19.37
8	6.00	3.50	4.60	5.37	37	20.50	18.00	19.10	19.87
9	6.50	4.00	5.10	5.87	38	21.00	18.50	19.60	20.37
10	7.00	4.50	5.60	6.37	39	21.50	19.00	20.10	20.87
11	7.50	5.00	6.10	6.87	40	22.00	19.50	20.60	21.37
12	8.00	5.50	6.60	7.37	41	22.50	20.00	21.10	21.87
13	8.50	6.00	7.10	7.87	42	23.00	20.50	21.60	22.37
14	9.00	6.50	7.60	8.37	43	23.50	21.00	22.10	22.87
15	9.50	7.00	8.10	8.87	44	24.00	21.50	22.60	23.37
16	10.00	7.50	8.60	9.37	45	24.50	22.00	23.10	23.87
17	10.50	8.00	9.10	9.87	46	25.00	22.50	23.60	24.37
18	11.00	8.50	9.60	10.37	47	25.50	23.00	24.10	24.87
19	11.50	9.00	10.10	10.87	48	26.00	23.50	24.60	25.37
20	12.00	9.50	10.60	11.37	49	26.50	24.00	25.10	25.87
21	12.50	10.00	11.10	11.87	50	27.00	24.50	25.60	26.37
22	13.00	10.50	11.60	12.37	51	27.50	25.00	26.10	26.87
23	13.50	11.00	12.10	12.87	52	28.00	25.50	26.60	27.37
24	14.00	11.50	12.60	13.37	53	28.50	26.00	27.10	27.87
25	14.50	12.00	13.10	13.87	54	29.00	26.50	27.60	28.37
26	15.00	12.50	13.60	14.37	55	29.50	27.00	28.10	28.87
27	15.50	13.00	14.10	14.87	56	30.00	27.50	28.60	29.37
28	16.00	13.50	14.60	15.37	57	30.50	28.00	29.10	29.87
29	16.50	14.00	15.10	15.87	58	31.00	28.50	29.60	30.37
30	17.00	14.50	15.60	16.37	59	31.50	29.00	30.10	30.87
31	17.50	15.00	16.10	16.87	60	32.00	29.50	30.60	31.37
32	18.00	15.50	16.60	17.37					



RECOMMENDED PCB LAYOUT
TOLERANCE ± 0.05
(N=CIRCUITS)



APPLICABLE FPC DIMENSION(REF)
(THICKNESS 0.30 ± 0.03)

GENERAL TOLERANCE	
X ± 0.50	X* $\pm 5^{\circ}$
.X ± 0.30	.X* $\pm 2^{\circ}$
.XX ± 0.20	.XX* $\pm 1^{\circ}$

KINGCONN 皇海科技股份有限公司
名 稱(TITLE)
FPC 0.5 MM-nP H1.0mm 前插后掀

單位(UNIT) mm	料號(PART NO.) 7FPC7-F0-10XX	圖號(DWG NO.) 7FPC7-F0-10XX
審核(APPROVAL)	檢核(CHECKED)	製圖(DRAWN)
比例 SCALE 1:1	張數 SHEET 1/1	更改 REV A

