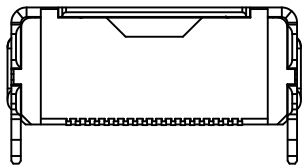
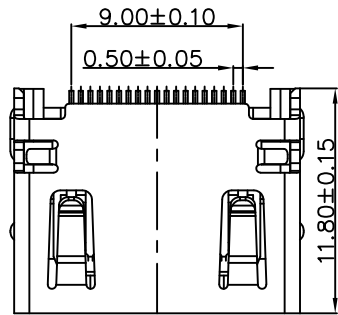
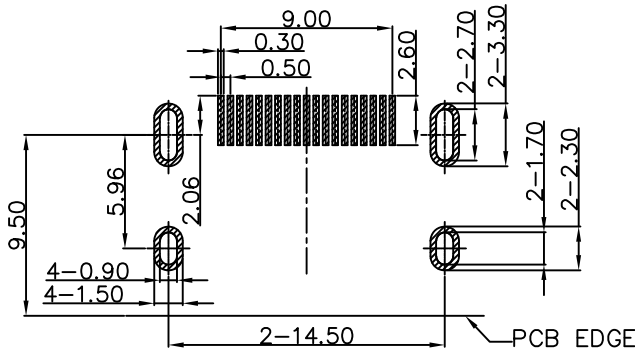
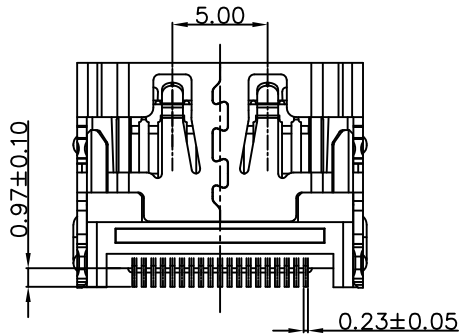
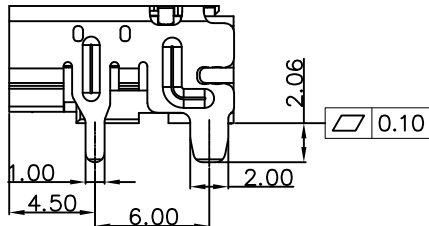
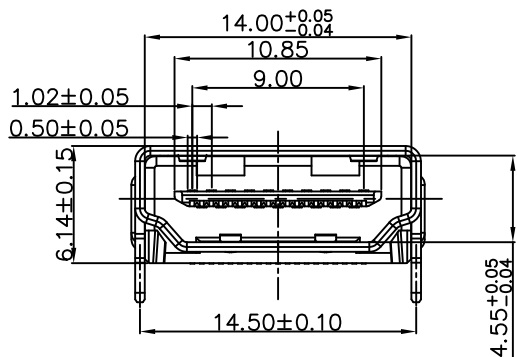


更改 REV	變更內容 MODIFICATION
A	EC06843
B	EC11020



後視圖



RECOMMEND PCB LAYOUT (T=1.00)
PCB TOLERANCE: ±0.05



1.Material:

InsertMolding:LCP UL 94V-0 Black
Contact:Copper alloy,T=0.20mm
Shell:SPCC,T=0.50mm

2.Electrical

- 1.1.Rated Voltage:40V AC/DC maximum
- 1.2.Rated Current:0.3A max.
- 1.3.Dielectric strength:150V AC/1 minute
- 1.4.Insulation Resistance:150V DC 10MΩ min.
- 1.5.Contact Resistance:30mΩ Max.

3.Mechanical

- 2.1.Insertion Force Max:4.0kgf max.
- 2.2.Removal Force Min:1.0kgf min. , 4.0kgf max.
- 2.3.Durability: 10000 cycles at 100±50 cycles per hour

4.Plating

- 4.1.Terminal:Contact area:1u" gold plate over 50u" NI min.
Solder area:100u" pure TIN plate over 50u" NI min.
 - 4.2.Shell: Ni:100u"min.
- 5.Ambient Temperature:-55°C To +85°C

GENERAL TOLERANCE		KINGCONN	皇海科技股份有限公司
X± 0.50	X*± 5°		
.X± 0.30	.X*± 2°		
.XX± 0.20	.XX*± 1°	名 稱(TITLE) HDMI A TYPE SMT	
單位(UNIT) mm	料號(PART NO.) 7HDMI-F0-0011	圖號(DWG NO.) 7HDMI-F0-0011-B	
審核(APPROVAL)	核對(CHECKED)	製圖(DRAWN)	比例(SCALE) 1:1
			張數(SHEET) 1/1
			更改(REV) B