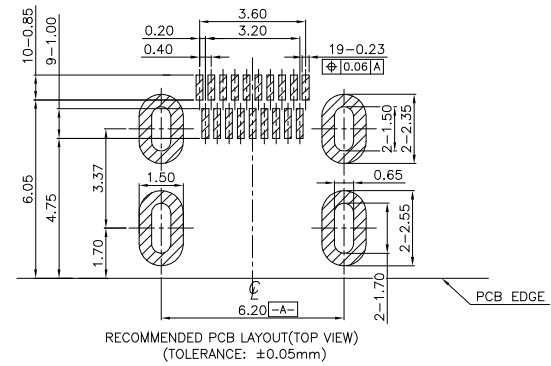
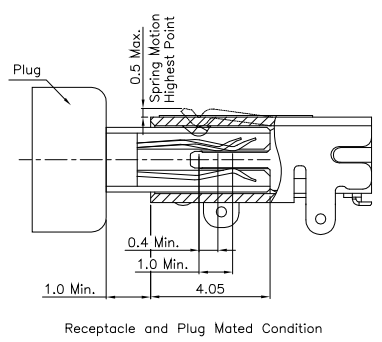
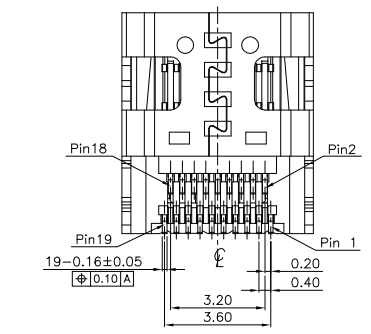
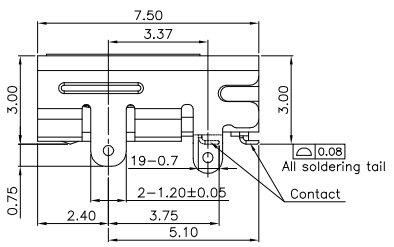
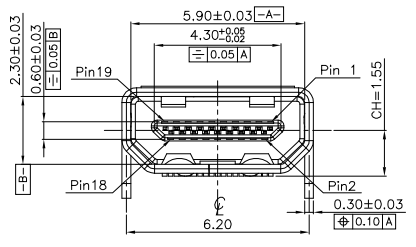
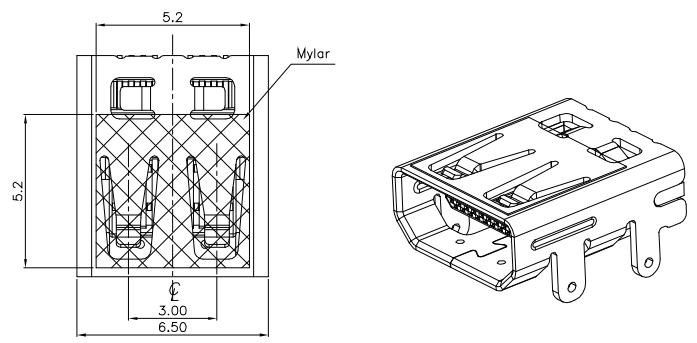


Notes:

- Materials
 - Housing: LCP+30% G/F, Black, UL94 V-0;
 - Contact: Phosphor Copper , Gold Plating at mating area, Matte Tin or Au Plating at solder tail, all over Nickel;
 - Shell: Phosphor Copper;
- Ratings
 - Current Rating: 0.3A ;
 - Operating Temperature: -40°C ~ 85°C;
- Electrical Requirement:
 - LLCR: Excluding Conductor Resistance 10mΩ Max.(Target design value), Contact: 30mΩ Max. changed (Final), Shell: 50mΩ Max. Changed (Final);
 - Dielectric Withstanding Voltage: 150V AC (RMS) for 1 minute (Mated), 250V AC (RMS) for 1 minute (Unmated);
 - Insulation Resistance: 10MΩ Min. @ 150V DC (Mated), 100MΩ Min. @ 500V DC (Unmated);
- Mechanical Performance:
 - Insertion force: 44.1N (4.5KgF) Max.;
 - Withdrawal force: 4.9~25N (0.5~2.5KgF);
 - Durability life: 5,000 Cycles;
- IR Reflow: the peak temperature on board shall be maintained for 10 seconds at 260±5°C.



PIN	Signal Assignment
1	Hot Plug Detect
2	Utility
3	TMDS Data2+
4	TMDS Data2 Shield
5	TMDS Data2-
6	TMDS Data1+
7	TMDS Data1 Shield
8	TMDS Data1-
9	TMDS Data0+
10	TMDS Data0 Shield
11	TMDS Data0-
12	TMDS Clock+
13	TMDS Clock Shield
14	TMDS Clock-
15	CEC
16	DDC/CEC Ground
17	SCL
18	SDA
19	+5V Power

GENERAL TOLERANCE		KINGCONN	皇海科技股份有限公司
X± 0.50	X*± 5 °		
.X± 0.30	.X*± 2 °		
.XX± 0.20	.XX*± 1 °	名 稱/TITLE: HDMI Type D 19Pin, 板上型CH=1.55,双排SMT,外壳全插	
單位/UNIT: mm	料 號/PART NO: 7HDMI-F0-2002	圖 號/DWG NO: 7HDMI-F0-2002	
審核/APPROVAL:	檢 驗/CHECKED:	製 圖/DRAWN:	比 例/SCALE: 1:1
			張 數/SHEET: 1/1
			圖 號/REV: A

