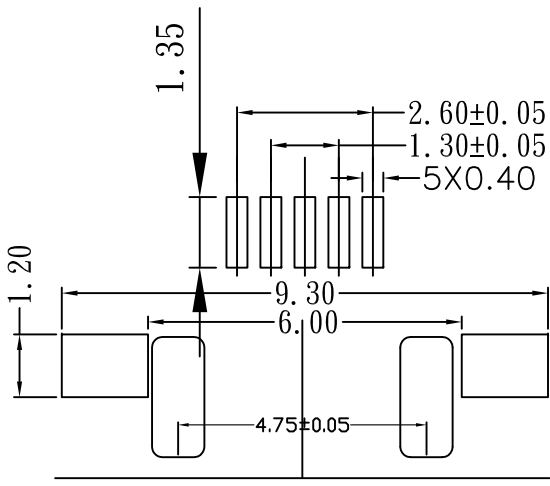
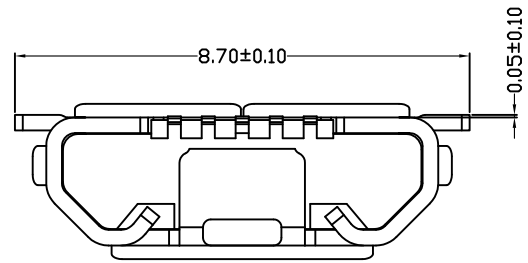


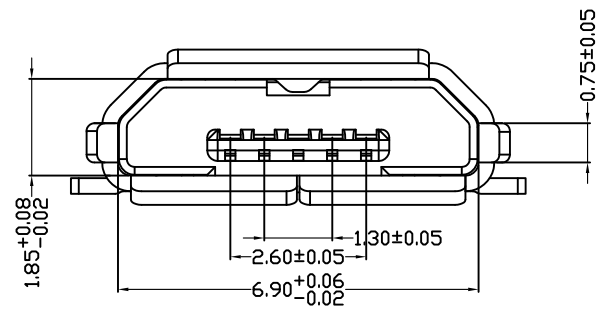
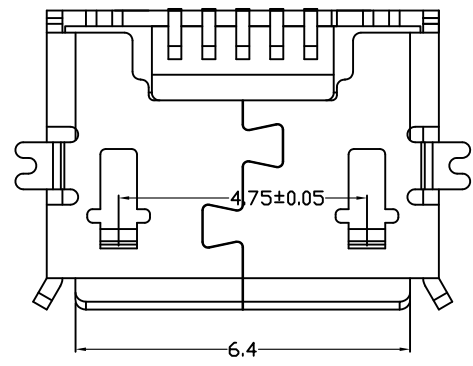
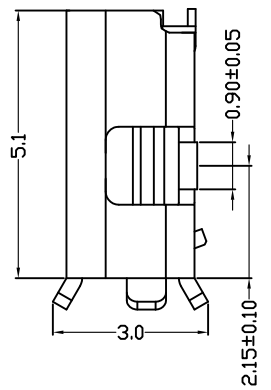
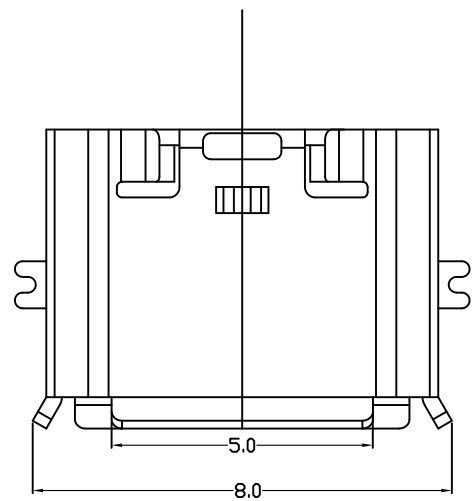
更改 REV	数量 MODIFICATION
A	ECXXXXX



Electrical Data:
 Current Rating:1.5Amp Max
 Dielectric Withstanding:500V AC for 1 minute
 Contact Resistance:<30 Milliohms
 Insulation Resistance:>1000 Megaohms
 Operating Temperature:-55°C - +85°C

Construction:
 Hole through type insulator:Class Filled Polyester
 Surface mount type Insulator:High temperature plastic
 Flammability Rating:LCP+30%GF UL94V-0
 Contacts:Copper Alloy
 Shell:Copper Alloy
 Contacts:Selective Gold on surface contact ares
 Shell:Ni contact ares

PCB LAYOUT



GENERAL TOLERANCE		KINGCONN 皇海科技股份有限公司
X± 0.50	X°± 5°	
.X± 0.30	.X°± 2°	
.XX± 0.20	.XX°± 1°	名称(TITLE) MICRO SP/F B 反向两脚SMT 无柱
单位(UNIT) mm	料号(PART NO.) 7MCUB-F0-0016	图号(DWG NO.) 7MCUB-F0-0016-A
审核(APPROVAL)	检查(CHECKED)	比例(SCALE) 1:1
	制图(DRAWN)	张数(SHEET) 1/1
		更改(REV) A

