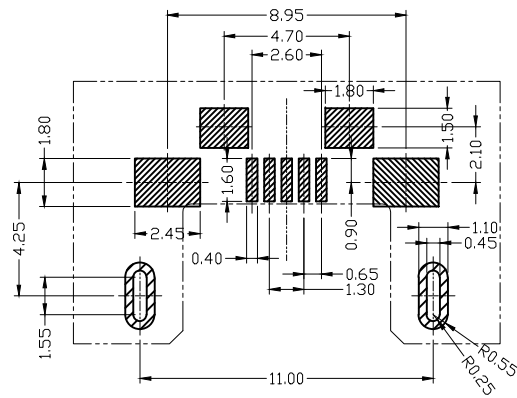
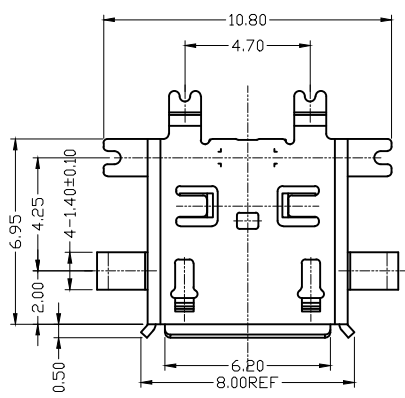
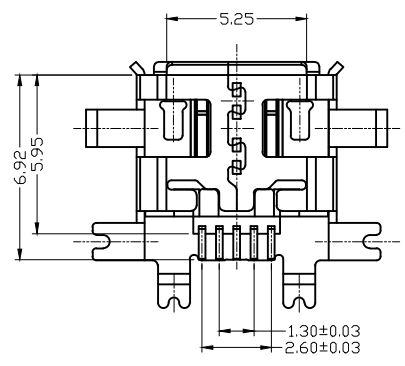
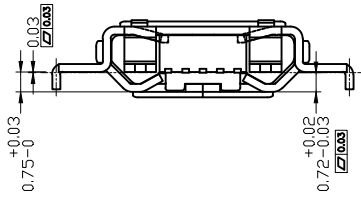
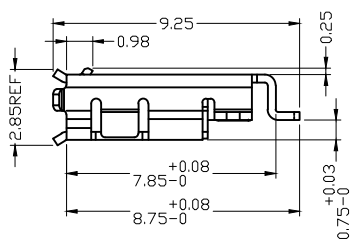
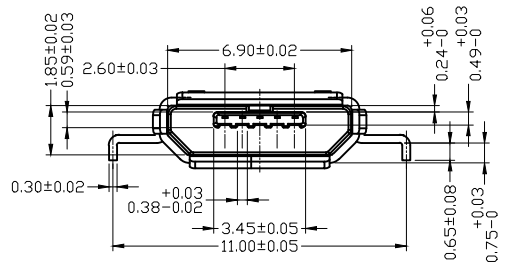


更改 REV	變更內容 MODIFICATION
A	ECN04187
B	ECN04236



RECOMMEND PCB LAYOUT(TOP VIEW)  
GENERAL TOLERANCE ±0.05



- NOTES:
- MECHANICAL:
    - MATING FORCE: 35N MAX.
    - UNMATING FORCE: 10N MIN,INITIAL.  
8~20N AFTER 10000 CYCLES.
    - DURABILITY: 5000 CYCLES MIN.
  - ELECTRICAL:
    - CURRENT: 1.0A
    - VOLTAGE: 30V MAX
    - WITHSTANDING VOLTAGE: 100V AC
    - CONTACT RESISTANCE: 30 mΩ MAX INITIAL;  
40 mΩ MAX AFTER 10000 CYCLES
  - ENVIRONMENTAL
    - OPERATING TEMPERATURE RANGE -30°C ~ +80°C
    - 5%-SALT-SOLUTION CONCENTRATION.

AUTODESK

AUTODESK

GENERAL TOLERANCE		KINGCONN 皇海科技股份有限公司	
X,± 0.50	X,*± 5 °	名稱(TITLE) MICRO USB 5P 六腳沉板 (0.75H) 翻邊母座	
.X± 0.30	.X*± 2 °		
.XX± 0.20	.XX*± 1 °		
單位(UNIT) mm	料號(PART NO.) 7MCUB-F0-0022	圖號(DWG NO.) 7MCUB-F0-0022	
審核(APPROVAL)	核對(CHECKED)	製圖(DRAWN)	比例(SCALE) 1:1
			張數(SHEET) 1/1
			更改(REV) B

