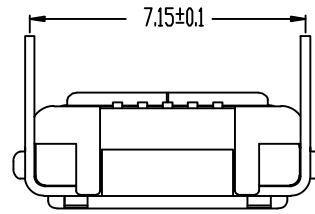


更改 REV	變更內容 MODIFICATION
A	ECXXXXX



規格說明:Specifications:

電氣特性:Electrical:

1. 額定電流: Current Rating
1.0A/contact terminal
2. 額定電壓: Voltage Rating
30V DC
3. 接觸阻抗: Contact Resistance
50 milliohms MAX
4. 耐電壓: Dielectric Withstanding Voltage:
300 V AC AT Sea Level
5. 絕緣阻抗: Insulation Resistance:
100MEGA ohms MIN

物理性能: Physical properties:

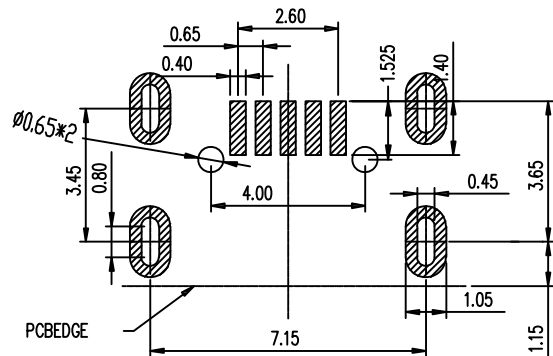
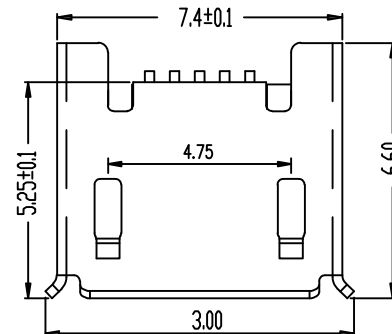
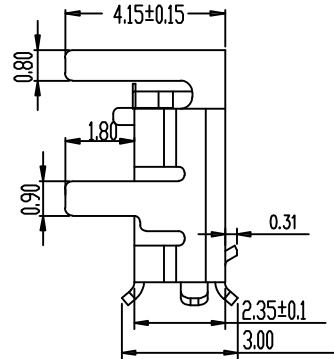
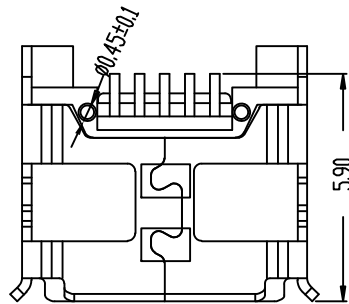
1. 插拔力: Connector Mate and Unmate Force
Mate force: 3.0kgf (MAX)
Unmate force: 0.7kgf (MIN)
2. 端子保持力: Terminal retention force
0.5kgf (MIN)

原材料: Raw material:

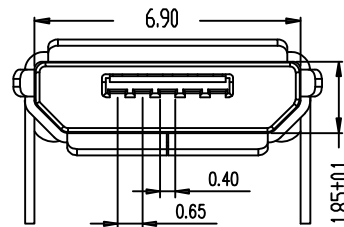
1. 塑膠: Plastic cement:
High Temperature Thermoplastics,
UL 94V-0 LCP Black
2. 端子: Contact: Copper Alloy C5191
3. 外殼: Shell: Copper Alloy C2680

電鍍: Finish:

1. Contact: Plated gold in Mating Area;
Tin On Solder Tails.
2. 外殼: Shell: Nickel Plating.



RECOMMENDED PCB LAYOUT (TOL: ±0.05)



GENERAL TOLERANCE		KINGCONN	皇海科技股份有限公司
X± 0.50	X*± 5°		
.X± 0.30	.X*± 2°		
XX± 0.20	XX*± 1°	名稱(TITLE) MICRO USB 5P/F 端子加長0.35 四腳插板腳長1.8	
單位(UNIT) mm	料號(PART NO.) 7MCUB-F0-0030	圖號(DWG NO.) 7MCUB-F0-0030	
審核(APPROVAL)	核對(CHECKED)	製圖(DRAWN)	比例(SCALE) 1:1
			張數(SHEET) 1/1
			更改(REV) A