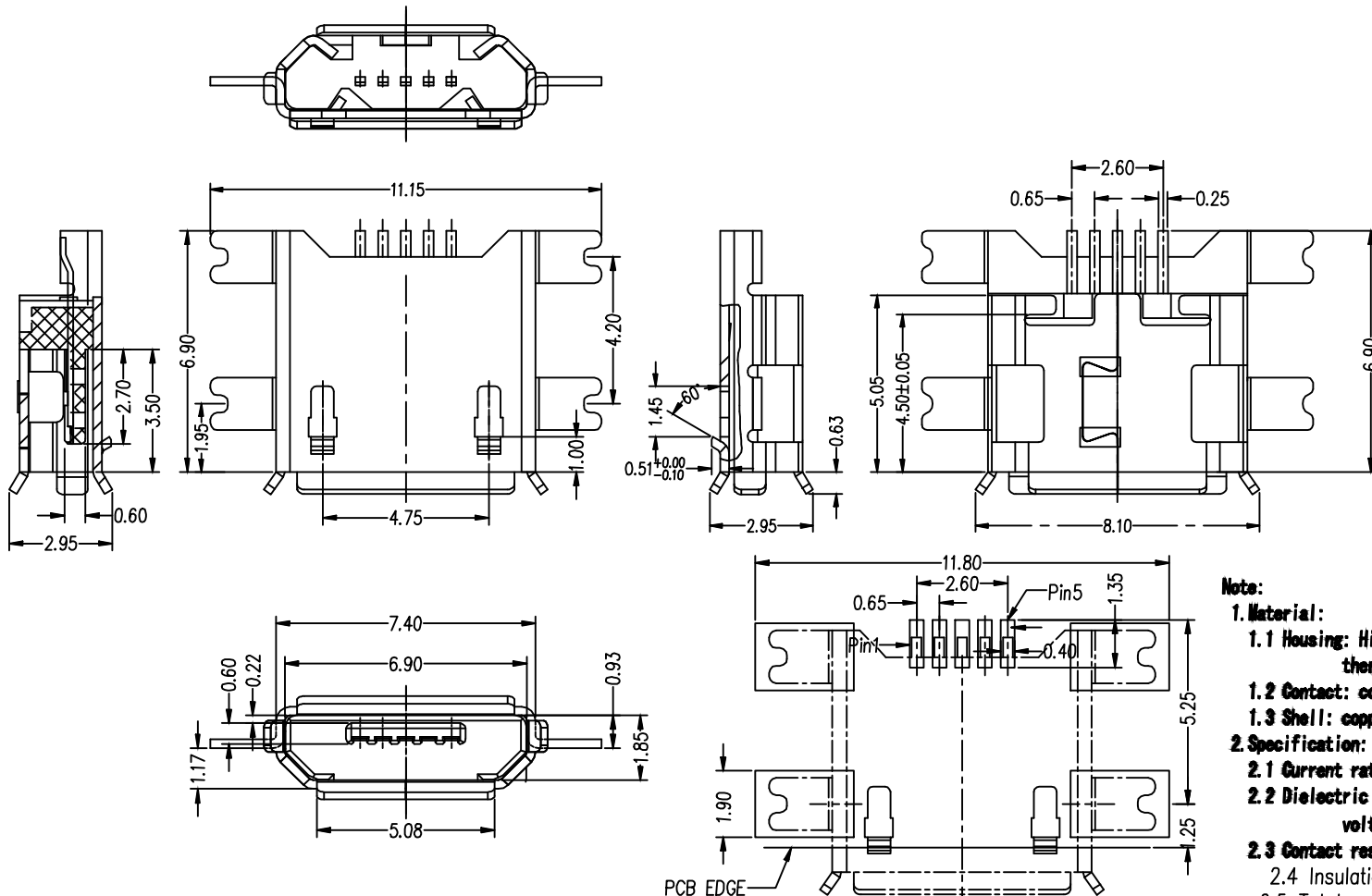


更改 REV	设计次序 MODIFICATION
A	ECXXXX



- Notes:**
- Material:**
    - Housing: High temperature thermoplastic with g.f. UL94V-0
    - Contact: copper alloy, t=0.20mm
    - Shell: copper alloy, t=0.25mm
  - Specification:**
    - Current rating: 1 A Max.
    - Dielectric withstanding voltage: 100 V(ac) for 1 min.
    - Contact resistance: 50 mΩ Max.
    - Insulation resistance: 100 MΩ Min.
    - Total mating force: 3.57 Kgf Max.
    - Total unmating force: 1.0 Kgf Min. 0.81~2.05 Kgf Min. after 3000 insertion/extraction cycles
    - Temperature range: -30°C~80°C

RECOMMENDED PCB LAYOUT

GENERAL TOLERANCE		KINGCONN 皇海科技股份有限公司	
X± 0.50	X*± 5°	名 稱(TITLE) Micro USB 5s B Type (破版式) Smt	
.X± 0.30	.X*± 2°		
.XX± 0.20	.XX*± 1°		
單 位(UNIT) mm	料 號(PART NO.) 7MCUB-F0-0033	圖 號(DWG NO.) 7MCUB-F0-0033	
審 核(APPROVAL)	核 對(CHECKED)	製 圖(DRAWN)	比 例 SCALE 1:1
			張 數 SHEET 1/1
			更 改 REV A

