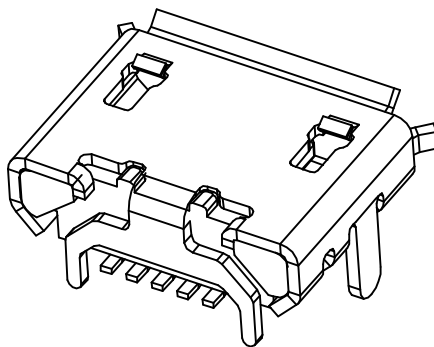
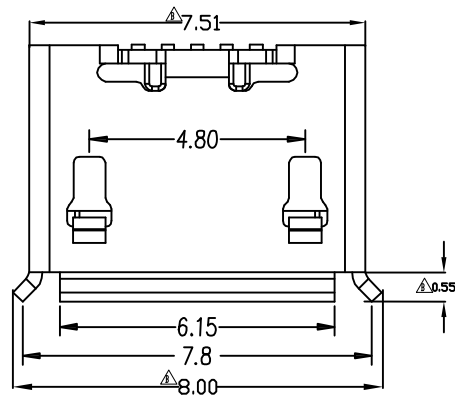


更改 REV	變更內容 MODIFICATION
A	EC05049
B	EC09100
C	EC12724



Notes:

1.Materials:

1.1 Housing:BLACK PA9T High temperature thermoplastic with g.f,UL94 v-0.

1.2 Contact:copper alloy.

1.3 Shell:copper alloy.

2.Specifications:

2.1 Current rating:1A Max.

2.2 Dielectric withstanding:voltage:100 V(ac) for 1 min.

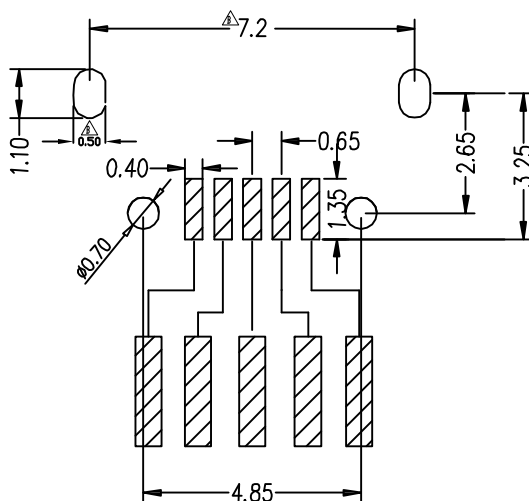
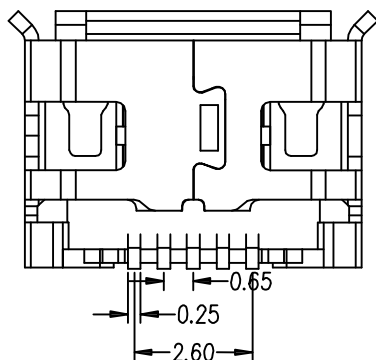
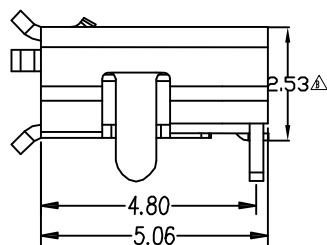
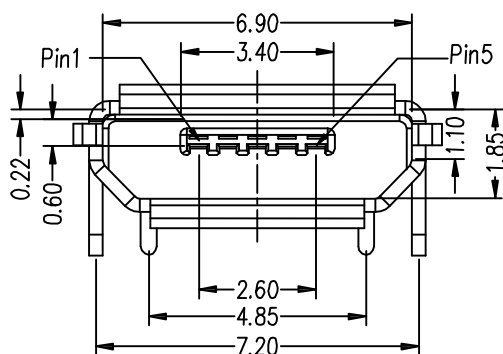
2.3 Contact resistance:50mWMax.

2.4 Insulation resistance:100MΩ Min.

2.5 Total mating force:3.57 Kgf Max.

2.6 Total unmating force:1.0 Kgf Min.0.81~2.05 Kgf Min.after.

2.7 Temperature range:-30°C~+80°C.



GENERAL TOLERANCE		KINGCONN 皇海科技股份有限公司	
X.± 0.50	X.*± 5 °	名廠(TITLE) MICRO USB 5P B TYPE	
.X± 0.30	.X.*± 2 °		
.XX± 0.20	.XX.*± 1 °		
單位(UNIT) mm	料號(PART NO.) 7MCUB-F0-1014	圖號(DWG NO.) 7MCUB-F0-1014	
審核(APPROVAL)	核對(CHECKED)	製圖(DRAWN)	比例(SCALE) 1:1
			張數(SHEET) 1/1
			更改(REV) C