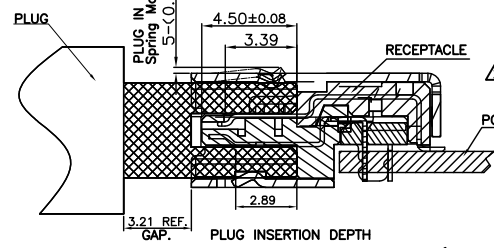
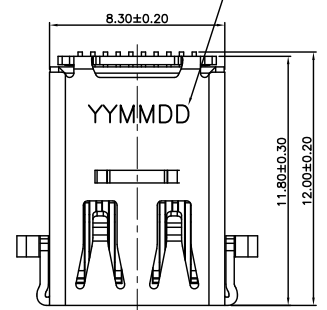
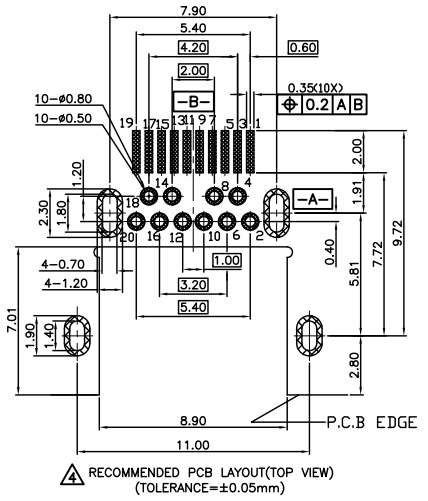
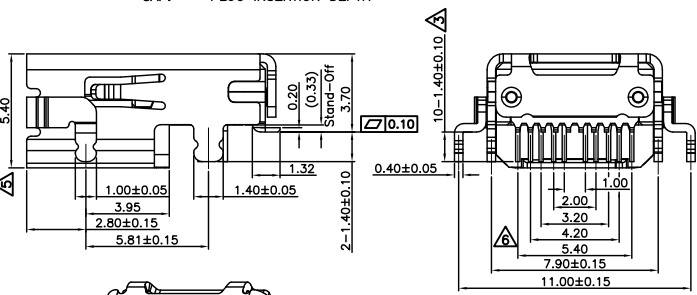
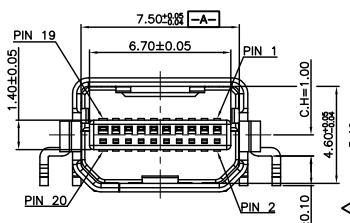


更改 REV	變更內容 MODIFICATION
A	ECXXXX

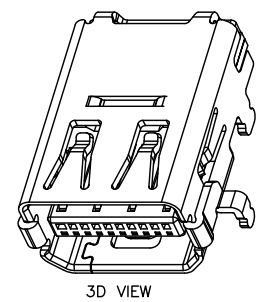
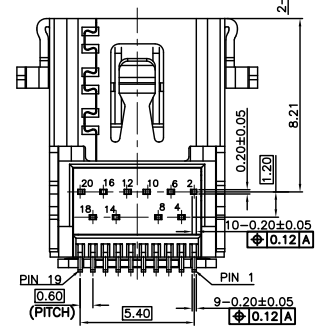
DATE CORD: YYMMDD
(YY=YEAR; MM=MONTH; DD=DAY)



NOTES:
1. MATERIAL:
1.1 SHELL: SUS304-1/2H
1.2 HOUSING: LCP UL94V-0 BLACK
1.3 TERMINAL: COPPER ALLOY
2. PLATING:
2.1 TERMINAL: 1~3u" GOLD PLATING ON CONTACT AREA. 60~150u" MATTE TIN PLATING ON SOLDER AREA. 40~100u" NICKEL PLATING UNDERPLATING OVER ALL.
2.2 SHELL: NICKEL PLATED 50u"MIN.



PIN	SIGNAL TYPE	PIN NAME
1	GND	GND
3	Out	ML_Lane 0(p)
5	Out	ML_Lane 0 (n)
7	GND	GND
9	Out	ML_Lane 1 (p)
11	Out	ML_Lane 1 (n)
13	GND	GND
15	Out	ML_Lane 2 (p)
17	Out	ML_Lane 2 (n)
19	GND	GND
2	IN	Hot Plug Detect
4	CFG	CONFIG 1
6	CFG	CONFIG 2
8	GND	GND
10	Out	ML_Lane 3(p)
12	Out	ML_Lane 3(n)
14	GND	GND
16	I/O	AUX_CH(p)
18	I/O	AUX_CH(n)
20	PWR Out	DP_PWR



GENERAL TOLERANCE	
X± 0.50	X°± 5 °
.X± 0.30	.X°± 2 °
.XX± 0.20	.XX°± 1 °

KINGCONN 皇海科技股份有限公司
名 稱(TITLE)
MINI DISPLAY PORT RECEPTACLE TYPE

單位(UNIT) mm	料號(PART NO.) 7MNDP-F0-0008	圖號(DWG NO.) 7MNDP-F0-0008
審核(APPROVAL)	核對(CHECKED)	製圖(DRAWN)
比例(SCALE) 1:1	張數(SHEET) 1/1	更改(REV) A

