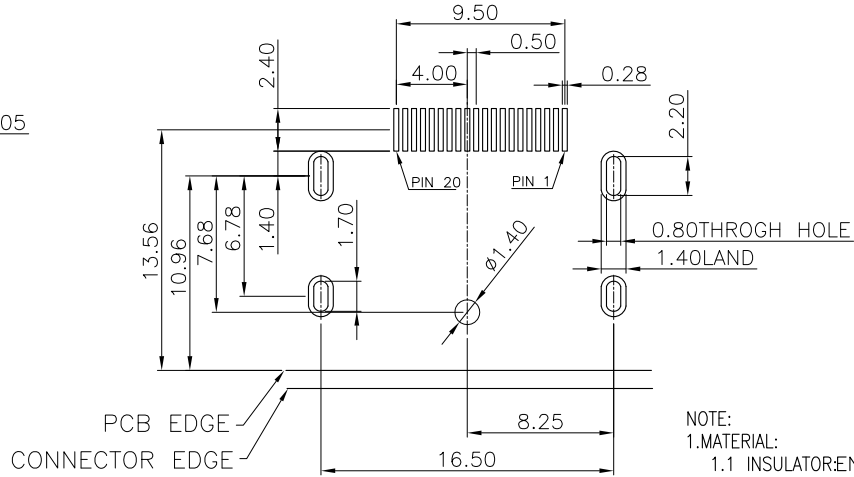
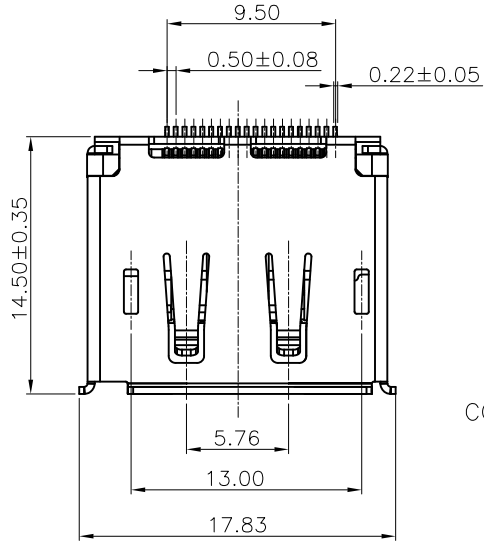
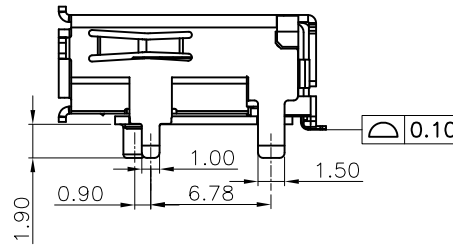
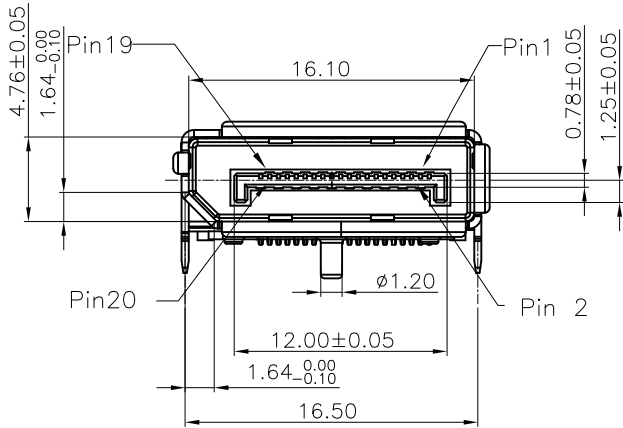


更改 REV	变更记录 MODIFICATION
A	ECXXXXX



RECOMMENDED P.C.B. LAYOUT (T=1.6)
TOLERANCE : $\pm 0.05\text{mm}$

- NOTE:
- MATERIAL:
 - INSULATOR: ENGINEERING THERMOPLASTIC, DARK-GREY
 - CONTACT : COPPER ALLOY
 - SHELL: COPPER ALLOY
 - PLATING:
 - CONTACT: GOLD PLATED ON CONTACT AREA
100u" Min. MATTE TIN PLATED ON SOLDER TAIL
50u" Min. NICKEL UNDER-PLATED
 - SHELL: 50u" Min. NICKEL PLATED OVERALL
 - CHARACTERISTICS:
 - ELECTRICAL CHARACTERISTICS;
 - CONTACT RESISTANCE: 30m Ω MAXIMUM
 - CONTACT CURRENT RATING: 0.5A
 - DIELECTRIC WITHSTANDING VOLTAGE: 500 V R.M.S.
 - INSULATION RESISTANCE 100 MEGOHMS MIN
 - OPERATING TEMPERATURE: -25°C ~ +85°C
 - MECHANICAL:
 - MATING FORCE: 4.5Kg. Max.
 - UNMATING FORCE: 1.0-4.0Kg.



GENERAL TOLERANCE		KINGCONN 皇海科技股份有限公司	
X \pm 0.50	X* \pm 5°	名稱(TITLE) Displayport 母 SMT 铜壳加弹片	
.X \pm 0.30	.X* \pm 2°		
.XX \pm 0.20	.XX* \pm 1°		
單位(UNIT) mm	料號(PART NO.) 7MNDP-F0-1002	圖號(DWG NO.) 7MNDP-F0-1002	
審核(APPROVAL)	核對(CHECKED)	製圖(DRAWN)	比例 SCALE 1:1 張數 SHEET 1/1 更改 REV A