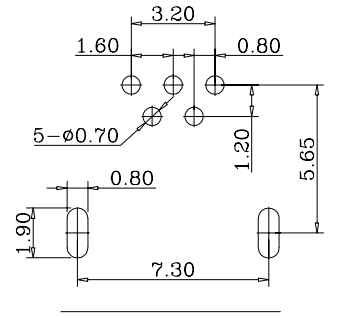
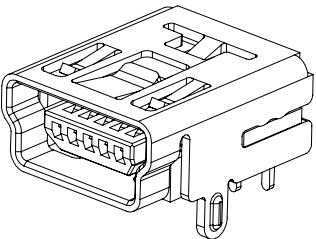
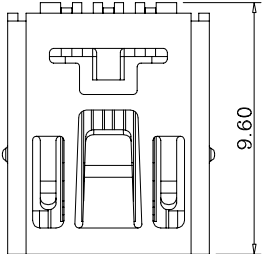
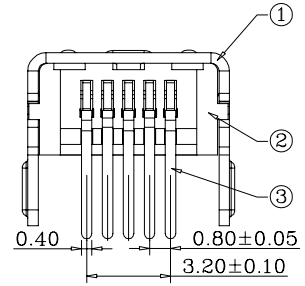
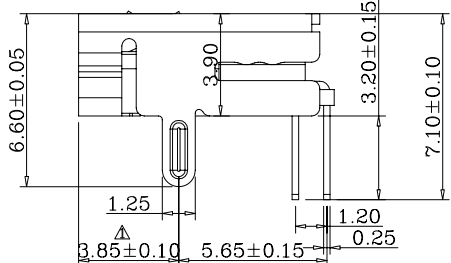
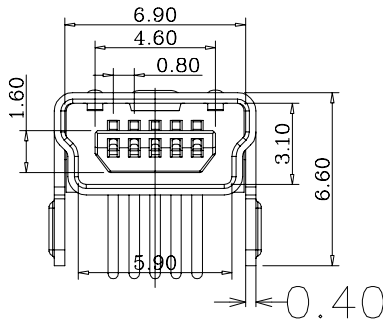


更改 REV	修改内容 MODIFICATION
A	ECXXXXX



Recommended PCB Layout



Specification:

- 1 Current rating:1.0A AC/DC
- 2 Voltage rating:50V AC/DC
- 3 Contact resistance:50m milliohms max
- 4 Insulation resistance:100 Mega ohms min
- 5 Withstanding voltage:500V AC/minute
- 6 Temperature range:-25°C to +80°C

③	CONTACT	5	COPPER ALLOY	GOLD PLATED OVER NICKEL
②	HOUSING	1	HIGHT TEMP. PLASTIC	UL94V-0
①	SHELL	1	BRASS	GOLD PLATING T=0.40
ITEM	PART NAME	Q'TY/PCS	MATERIALS	NOTE

GENERAL TOLERANCE		KINGCONN 皇海科技股份有限公司
X± 0.50	X*± 5 °	
.X± 0.30	.X*± 2 °	
.XX± 0.20	.XX*± 1 °	名廠/TITLED
MINI USB B型5P DIP		
單位(UNIT)	料號(PART NO)	圖號(DWG NO)
mm	7MNSB-F0-0026	7MNSB-F0-0026
審核(APPROVAL)	核對(CHECKED)	製圖(DRAWN)
SCALE 1:1		張數 SHEET 1/1
PRJL		更改 REV A

