

更改 REV	修改内容 MODIFICATION
A	ECXXXXX

规格说明:Specifications:

电气特性:Electrical:

1. 额定电流: Current Rating
1.0A/contact terminal
2. 额定电压: Voltage Rating
30V DC
3. 接触阻抗:Contact Resistance
50 milliohms MAX
4. 耐电压:Dielectnic Withstanding Voitage:
300 V AC AT Sea Level
5. 绝缘阻抗:Insulation Resistance:
100MEGA ohms MIN

物理性能:Mechanical:

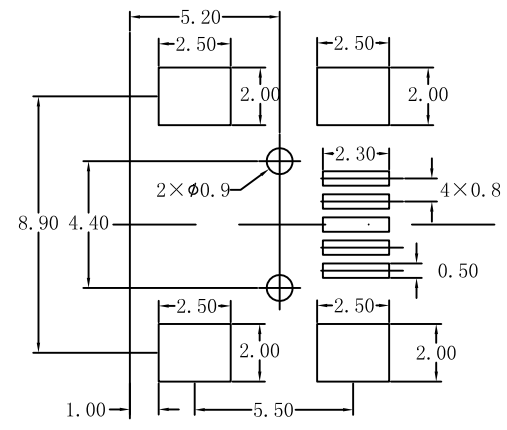
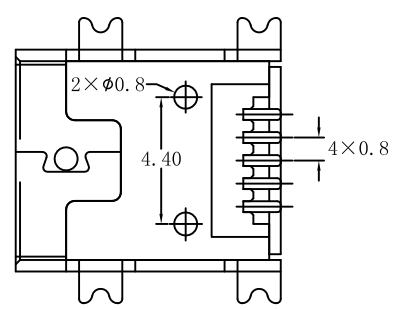
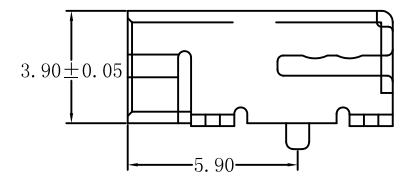
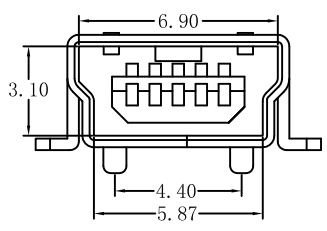
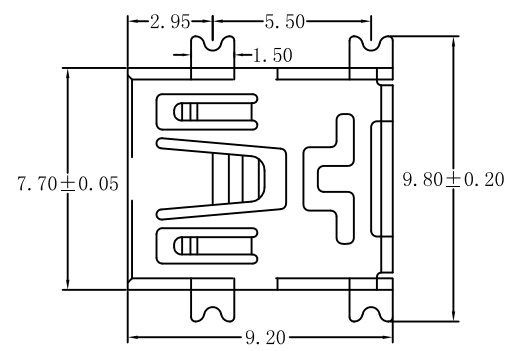
1. 插拔力: Cnnetor Mate and Unmate Force
Mate force:3.0kgf (MAX)
Unmate force:0.7kgf (MIN)
2. 端子保持力: Terminal Retenion
0.5kgf (MIN)

原材料:Matorial:

1. 塑胶:Housing:
Hing Temperature Tnermaplastics,
U1 94V-0 LCP Black
2. 端子:Contact:Copper Alloy C2680/C5191
3. 外壳:Shell: Copper Alloy C2680

电镀:Finish:

1. 端子:Contact: Plated Gold in Mating Area;
Tin On Solder Talls
2. 外壳:Shell:
Nickel Plating



RECOMMENDED PCB LAYOUT

GENERAL TOLERANCE		KINGCONN 皇海科技股份有限公司	
X± 0.50	X*± 5°	名称(TITLE) MINI USB 5P/F SMT (B型 1.0柱)	
.X± 0.30	.X*± 2°		
.XX± 0.20	.XX*± 1°		
单位(UNIT) mm	料号(PART NO.) 7MNSB-F0-0029	图号(DWG NO.) 7MNSB-F0-0029	
审核(APPROVAL)	核数(CHECKED)	制图(DRAWN)	比例 SCALE 1:1 张数 SHEET 1 更改 REV A

