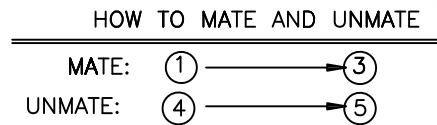
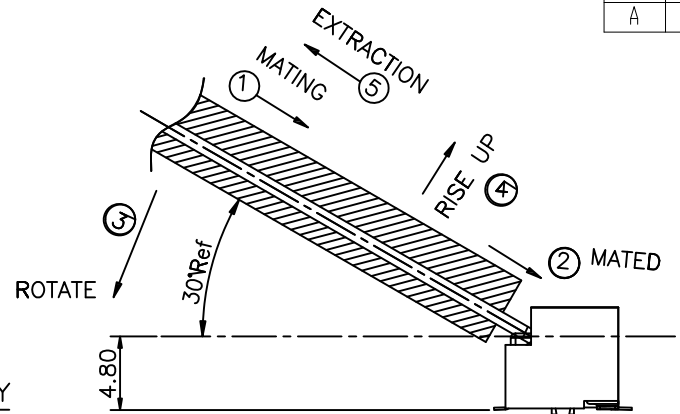
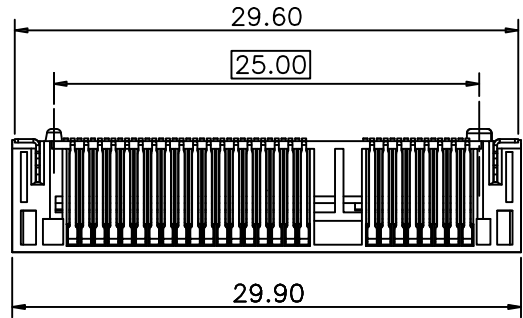
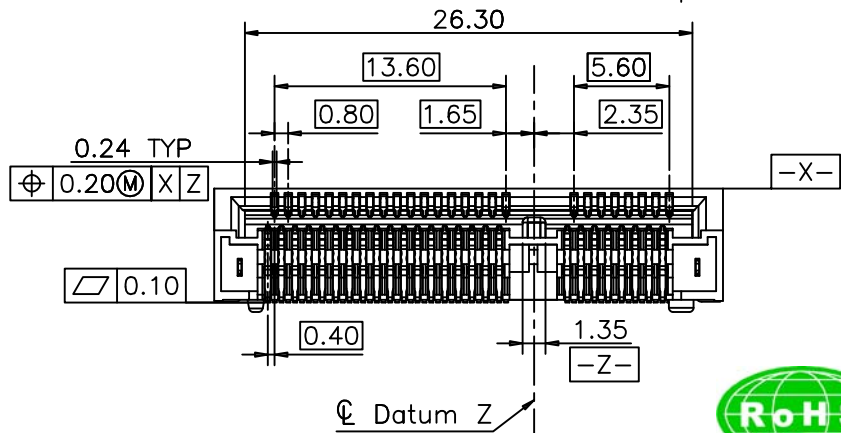
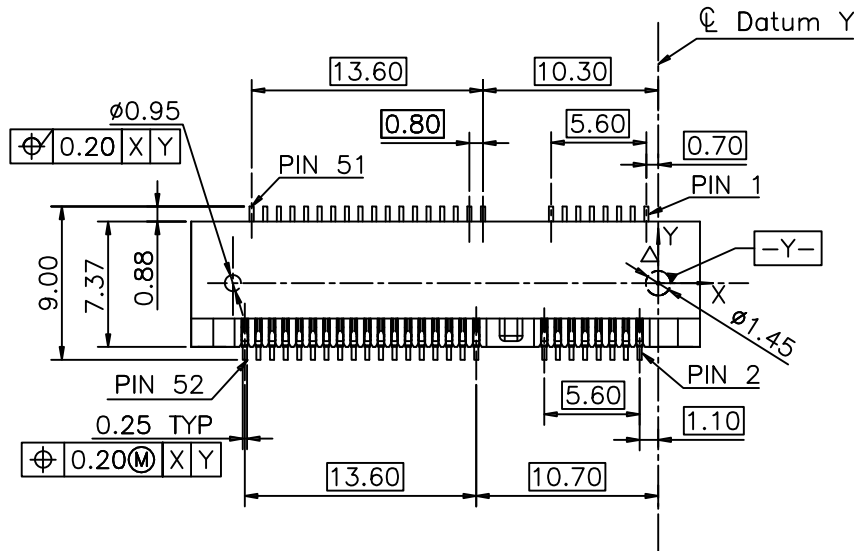
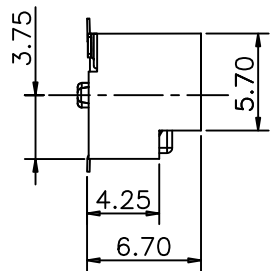


更改 REV	设计内容 MODIFICATION
A	ECXXXXX



1. Datum X is the top surface of Product

- (1) The horizontal axis for the pattern is established by a line through the center of the $\phi 1.45$ and $\phi 0.95$ posts.
- (2) The vertical axis is 90° to the horizontal axis, through the center of datum Y.



GENERAL TOLERANCE		KINGCONN 皇海科技股份有限公司	
X \pm 0.50	X* \pm 5°	名 称(TITLE) MINI PCI EXPRESS H:6.7mm	
.X \pm 0.30	.X* \pm 2°		
.XX \pm 0.20	.XX* \pm 1°		
单 位(UNIT) mm	料 号(PART NO.) 7MPCI-F0-0670	图 号(DWG NO.) 7MPCI-F0-0670	
审 核(APPROVAL)	核 对(CHECKED)	製 图(DRAWN)	比 例 SCALE 1:1
			张 数 SHEET 1/2
			更 改 REV A

