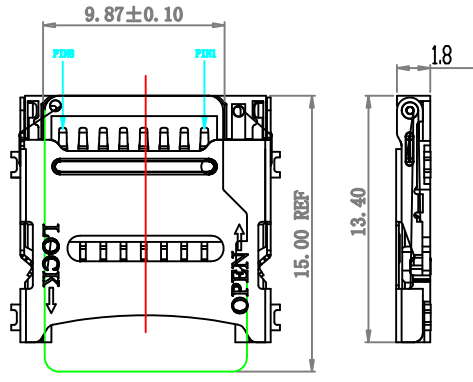
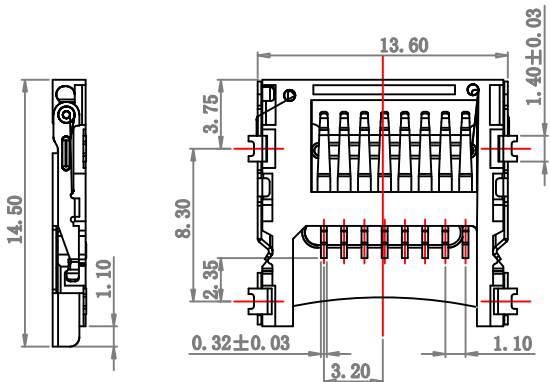


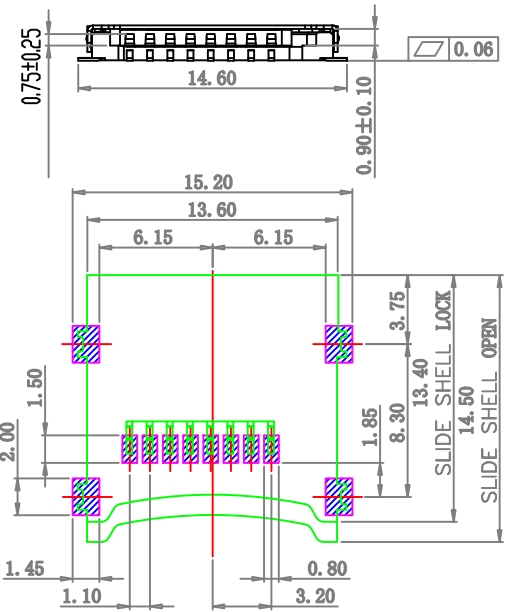
| 更改<br>REV | 数量内容<br>MODIFICATION |
|-----------|----------------------|
| A         | ECN03889             |
| B         | ECN03915             |
| C         | ECN03923             |
| D         | ECN03930             |
| E         | ECN04243             |
| F         | ECN04866             |



SLIDE SHELL OPEN



SLIDE SHELL LOCK



RECOMMEND PCB LAYOUT  
TOLERANCE: ±0.05  
TOP VIEW

|         |         |         |      |
|---------|---------|---------|------|
| PIN5    | CLK     |         |      |
| PIN4    | VDD     |         |      |
| PIN3    | CMD     | PIN8    | DAT1 |
| PIN2    | CD/DAT3 | PIN7    | DAT0 |
| PIN1    | DAT2    | PIN6    | VSS  |
| PIN NO. |         | PIN NO. |      |

**MATERIALS**

- HOUSING : THERMOPLASTIC LCP S475+30GF, UL94 V-0.
- TERMINAL : COPPER ALLOY, C5191R-EH, T=0.16mm.  
PLATING : 3u"AU PLATED ON CONTACT AREA,  
80u"~120u" PLATED ON SOLDER TAILS,  
50U"~80U" NICKEL PLATED OVERALL.
- SHELL : SUS304-1/2H, T=0.20mm.
- SOLDER : C5191R-EH, T=0.16mm.  
PLATING : 80u"~120u" PLATED ON SOLDER TAILS,  
50U"~80U" NICKEL PLATED OVERALL.

**SPCIFICATION**

- CURRENT RATING : 0.5 A. MAX.
- VOLTAGE RATING:5V.
- DIELECTRIC WITHSTANDING VOLTAGE :  
250V AC R.M.S. FOR 1 MINUTE.
- INSULATION RESISTANCE : 500MΩ MIN. AT 5V DC.
- CONTACT RESISTANCE : 100mΩ MAX.
- OPERATING TEMPERATURE : -20° C TO +85° C.
- DURABILITY:5000 CYCLES.

**Bill Of Materials:**

| No. | TITLE    | MATERIAL                | FINISH(OR COLOR)        | QT' Y |
|-----|----------|-------------------------|-------------------------|-------|
| 1   | HOUSING  | LCP S475+30GF, UL94 V-0 | 黑色                      | 1     |
| 2   | SHELL    | SUS 304-1/2H            | 清洗除油(不电镀)               | 1     |
| 3   | TERMINAL | C5191R-EH               | 接触点镀金3u",焊脚镀锡80u"~120u" | 1SET  |
| 4   | SOLDER   | C5191R-EH               | 锡锡 80u"~120u"           | 1SET  |

| GENERAL TOLERANCE |                            | KINGCONN 皇海科技股份有限公司                              |               |
|-------------------|----------------------------|--|---------------|
| X± 0.50           | X*± 5°                     | 名(TITLE) Micro SD & T-Flash CONNECTOR HINGE TYPE |               |
| .X± 0.30          | .X*± 2°                    |  |               |
| .XX± 0.20         | .XX*± 1°                   |  |               |
| 单位(UNIT) mm       | 料号(PART NO.) 7MSDH-F0-1012 | 图号(DWG NO.) 7MSDH-F0-1012                        |               |
| 审核(APPROVAL)      | 检查(CHECKED)                | 制图(DRAWN)  | 比例(SCALE) 1:1 |
|                   |                            |  | 张数(SHEET) 1/1 |
|                   |                            |  | 更改(REV) F     |

