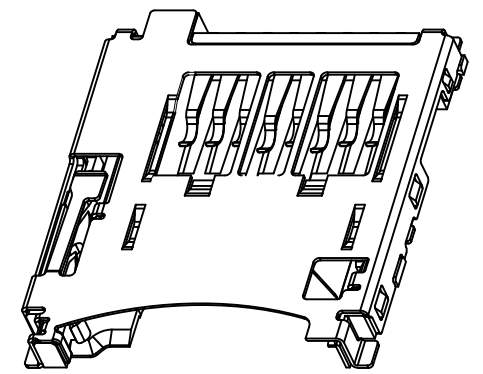
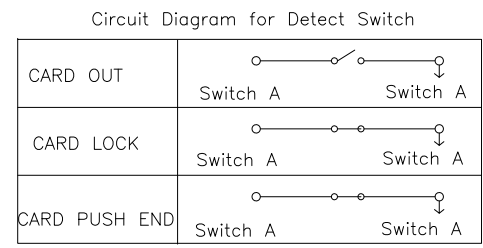
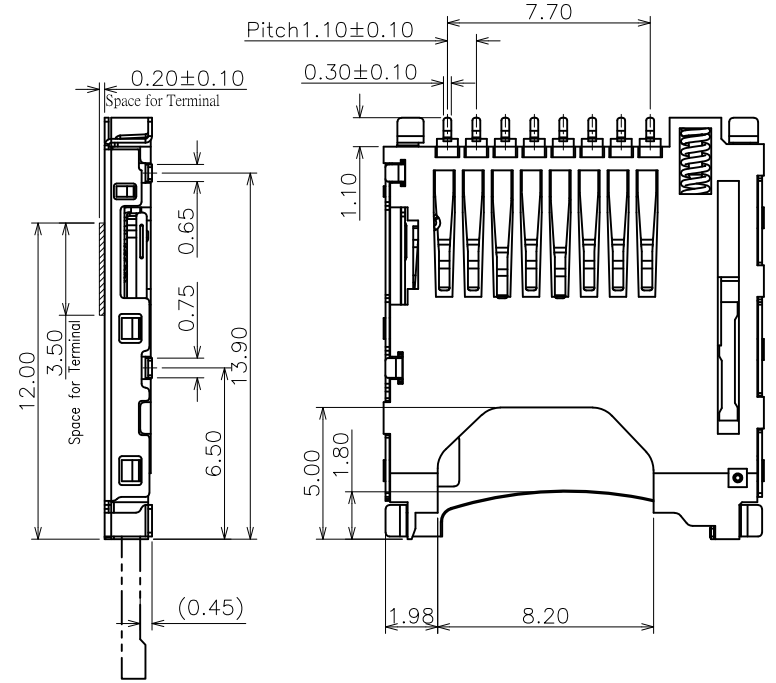
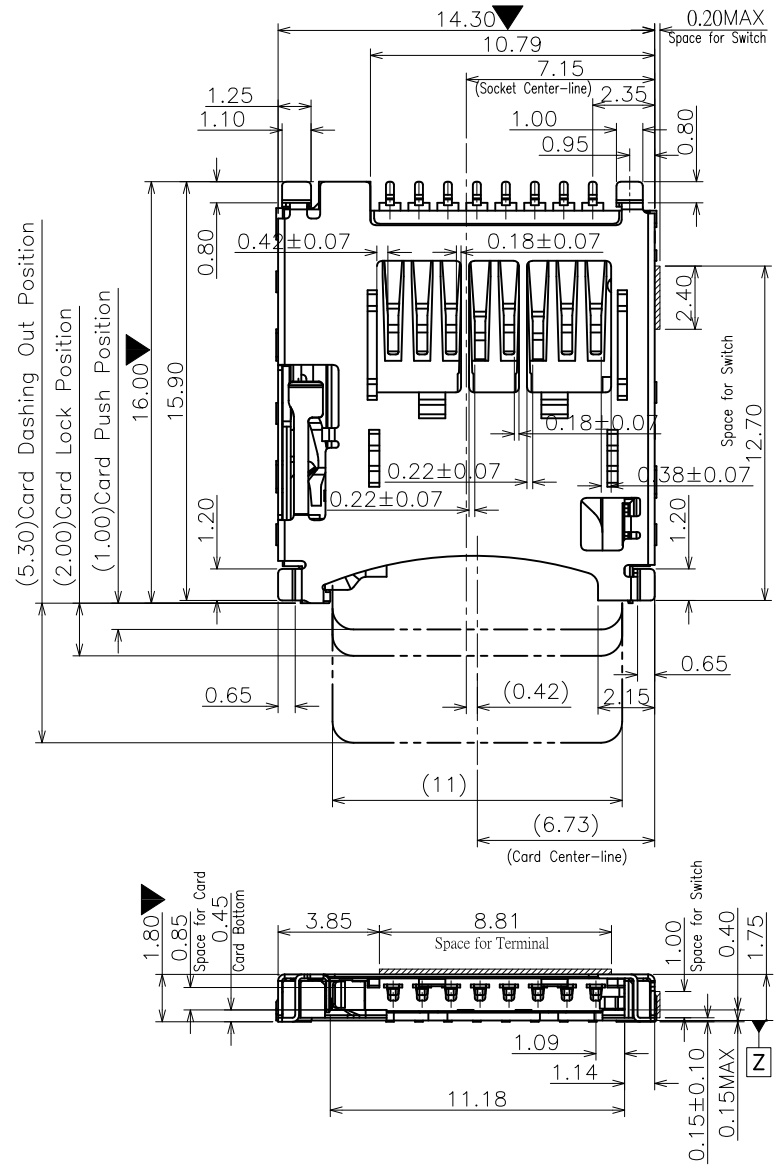


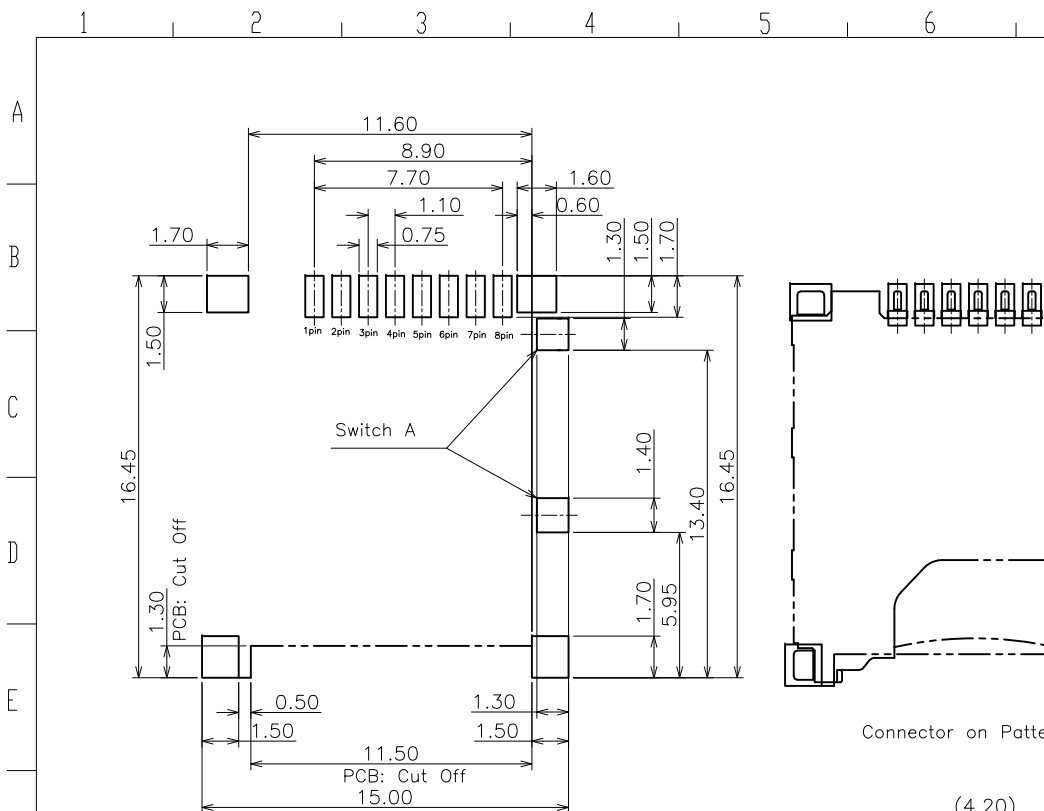
更改 REV	變更內容 MODIFICATION
A	ECN04105
B	ECN04215



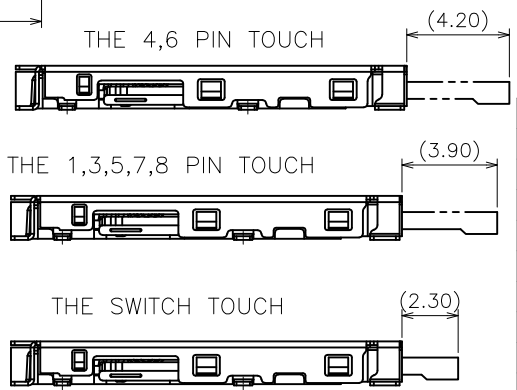
GENERAL TOLERANCE		KINGCONN 皇海科技股份有限公司	
X± 0.50	X*± 5°	名稱(TITLE) MicroSD Memory Card Socket Reverse Type	
.X± 0.30	.X*± 2°		
.XX± 0.20	.XX*± 1°		
單位(UNIT) mm	料號(PART NO.) 7MSDP-AA-1110	圖號(DWG NO.) 7MSDP-AA-1110-B	
審核(APPROVAL)	核對(CHECKED)	製圖(DRAWN)	比例 SCALE 2:1
			張數 SHEET 1/2
			圖改 REV B



更改 REV	變更內容 MODIFICATION
A	ECN04105
B	ECN04215



Recommended PCB Pattern Layout
General Tolerance: ±0.05



Note:

- Material: See Table
- Finishes: See Table
 - 2-1 Contact: Nickel Underplated
3u" Gold Plating on Contact Area, Gold Flash on Solder Tail
 - 2-2 Switch & Detect: Nickel Underplated
5u" Gold Plating on Contact Area
 - 2-3 Shell: Gold Flash Over Nickel Underplated on Solder Pad
- Coplanarity of Solder tails : 0.10MAX.
Misalignment of Solder Tail From "Z"
Upper Direction 0.05 MAX. , Lower Direction 0.1 MAX.
- Mechanical Specification:
Repeated 10000 Times Mating and Unmating Cycles and Still Meet Electrical Characteristics
- Electrical Specification:
 - 5-1 Rated Current (Per Contact): 0.5Amps MAX and Temperature Rise Should be 30°C MAX.
 - 5-2 Insulation Resistance(LR):1000 Megohms MIN.
 - 5-3 Dielectric With Standing Voltage: 500VAC
 - 5-4 Contact Resistance : 100 Milliohms MAX.
- "▼" sign, for the QC testing and focus IPQC

9	Coil Spring	J5F319KVSX360005	Stainless Steel		Ni over all
8	Slider	J8F301K08BKS	Polyamide 9T	White	
7	Lock Spring	J5F318KTSWXX0003	Stainless Steel		
6	Crank-Axle	J5F320KTSW000004	Stainless Steel		
5	Shell	J5F317KT00XXX001	Stainless Steel		Selective-Au over Ni
4	Switch	J5F318KQSWXXX002	PHOS.-Bronze		Selective-Au over Ni
3	Detect	J5F318KQSWXXX001	PHOS.-Bronze		Selective-Au over Ni
2	Contact	J4F301K1XXX0001	PHOS.-Bronze		Selective-Au over Ni
1	Housing	J8F301KXBKXX	PA9T & LCP	Black	
NO	PART NAME	PART NO.	MATERIALS	COLOR	FINISHS

GENERAL TOLERANCE		KINGCONN 皇海科技股份有限公司	
X± 0.50	X*± 5°	名稱(TITLE) MicroSD Memory Card Socket Reverse Type	
.X± 0.30	.X*± 2°		
.XX± 0.20	.XX*± 1°		
單位(UNIT) mm	料號(PART NO.) 7MSDP-AA-1110	圖號(DWG NO.) 7MSDP-AA-1110-B	
審核(APPROVAL)	核對(CHECKED)	製圖(DRAWN)	比例(SCALE) 2:1
			張數(SHEET) 2 / 2
			更改(REV) B

