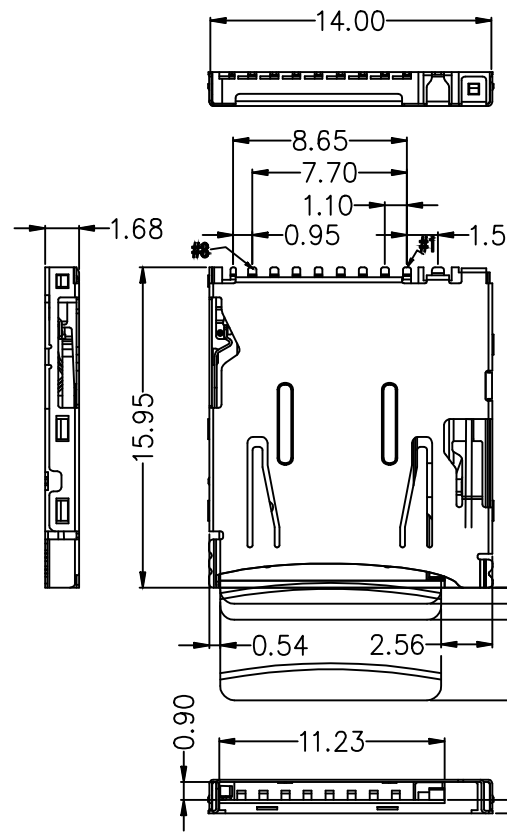
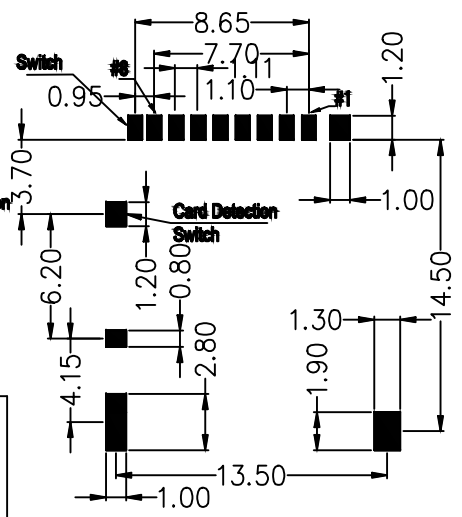
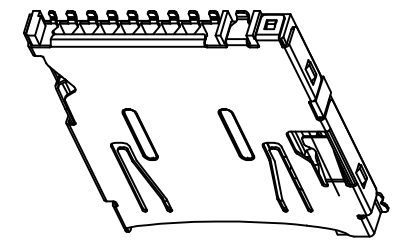
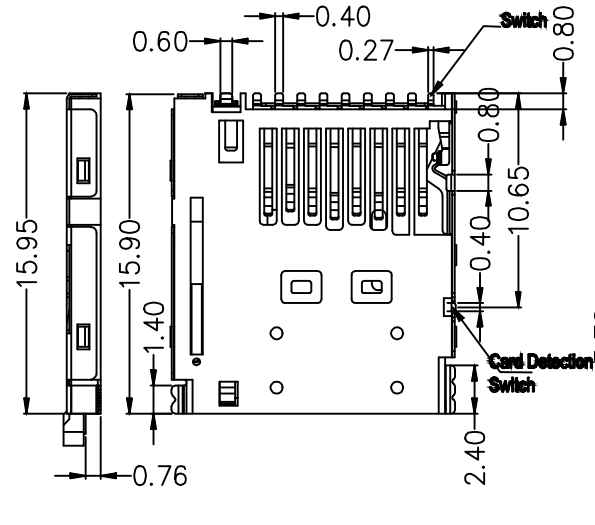


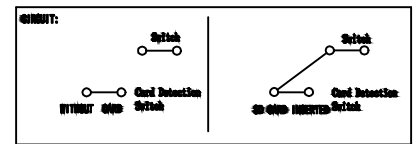
PIN NR.	PIN ASSIGNMENT
1#	DAT0 数据
2#	CS/DAT2 片选
3#	CS 片选输入
4#	VDD 电源/地
5#	CLK 时钟
6#	VSS 接地
7#	DAT0 数据
8#	DAT1 数据



0.80PUSH STROKE POSITION
1.60CARD LOCK POSITION
5.60CARD EJECT POSITION



PCB AREA
RECOMMENDED PCB LAYOUT
GENERAL TOLERANCE ±0.05



Specification

Electrical:

Current Rating :0.5mA AC/DC max.
Voltage Rating :125V AC/DC
Ambient Temperature Range :-25° C~+85° C
Storage Temperature Range :-25° C~+85° C
Ambient Humidity Range :95% R.H. Max.
Contact Resistance:100mΩ max.
Insulation Resistance:1000MΩ min./500VDC
Mating Cycles:5,000 Insertions
产品耐温等级: 200° C

MATERIAL:

Insulator: High Temperature Thermoplastic, UL 94V-0
Contact: Copper Alloy
Shell: sus

PLATING:

Contact: Plated 50u' Ni All, Over all Au Tu
Shell: Plated 30u' Ni Overall
Plated TuAu Selective Contact Area



GENERAL TOLERANCE		KINGCONN 皇海科技股份有限公司	
X± 0.50	X*± 5°	名称(TITLE) Micro SD 卡座PUSH/PUSH 1.68H	
.X± 0.30	.X*± 2°		
.XX± 0.20	.XX*± 1°		
单位(UNIT) mm	料号(PART NO.) 7MSDP-F0-0028	图号(DWG NO.) 7MSDP-F0-0028	比例 SCALE 1:1
审核(APPROVAL)	核数(CHECKED)	制图(DRAWN)	张数 SHEET 1/1
			更改 REV A