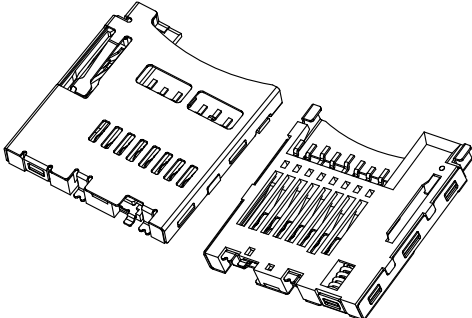
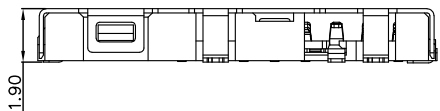
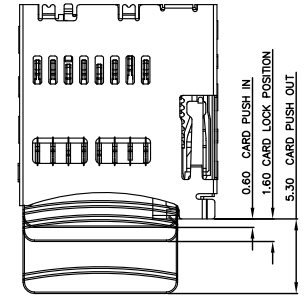
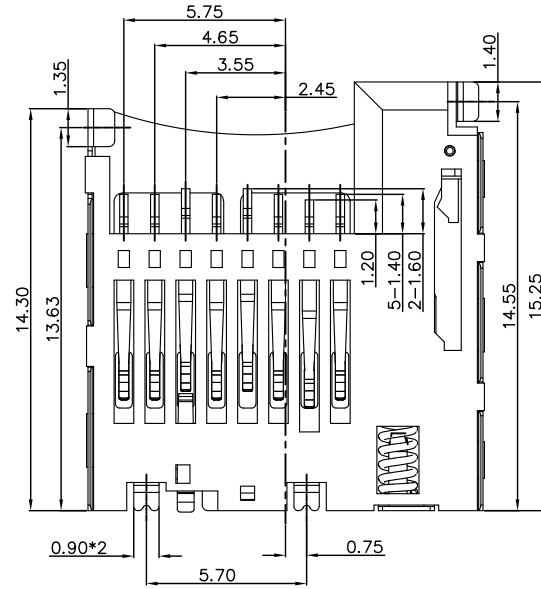
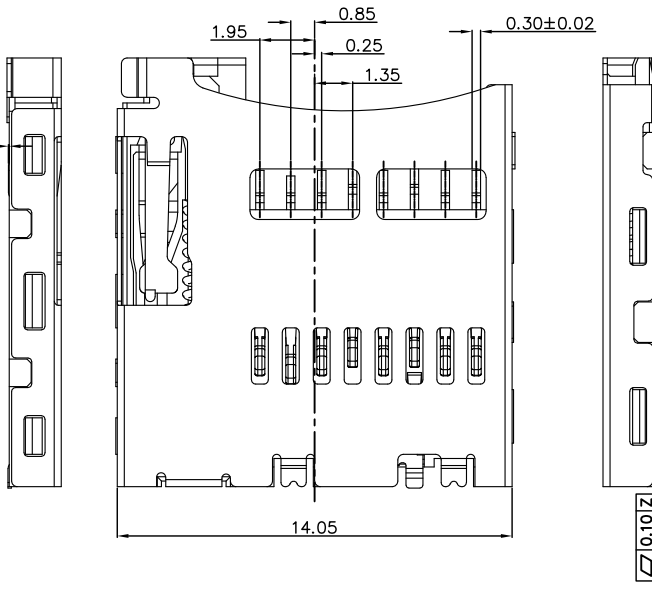


更改 REV	變更內容 MODIFICATION
A	EC05011
B	EC12715



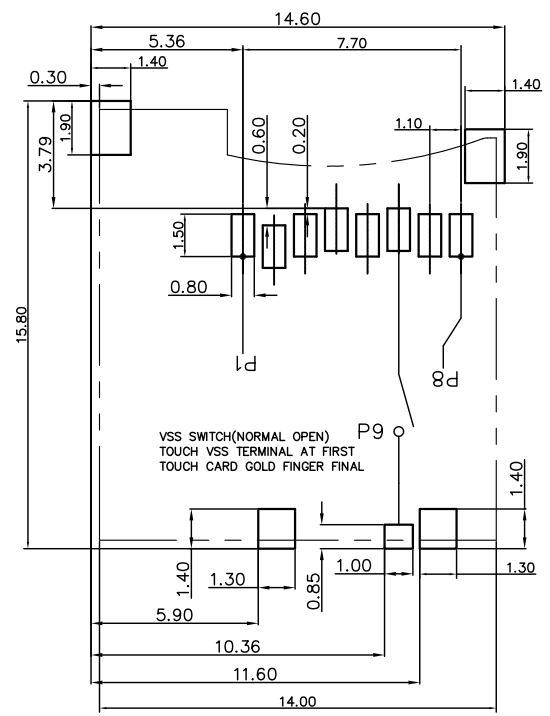
- NOTES :
- MATERIAL :
 - HOUSING:LCP UL94 V-0, BLACK COLOR.
 - SHELL: STAINLESS STEEL
 - CONTACT: COPPER ALLOY
 - FINISH :
 - CONTACT: GOLD PLATING ON CONTACT AREA, MATTE TIN 100u"MIN ON SOLDERTAIL AREA. 50u" MIN NICKEL PLATING OVERALL.
 - SHELL: 30u" MIN NICKEL PLATING OVERALL. Au 1u"MIN ON SOLDERTAIL AREA.
 - ELECTRICAL CHARACTERISTICS:
 - OPERATING VOLTAGE : 100V AC(rms)/DC.
 - CURRENT RATING : 0.5 A.
 - OPERATING TEMPERATURE: -40°C~+85°C.
 - CONTACT RESISTANCE: 100 m OHMS MAX.
 - INSULATION RESISTANCE: 1000M OHMS MIN. AT 250VDC.
 - DIELECTRIC WITHSTANDING VOLTAGE:500 VAC/1MINUTE.



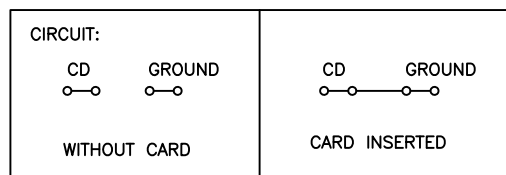
GENERAL TOLERANCE		KINGCONN 皇海科技股份有限公司
X± 0.50	X*± 5 °	
.X± 0.30	.X*± 2 °	
.XX± 0.20	.XX*± 1 °	名 (K/TITLE) Micro SD Push conn 內焊 帶檢測PIN
單位(UNIT) mm	料號(PART NO.) 7MSDP-F0-0029	圖號(DWG NO.) 7MSDP-F0-0029-B
審核(APPROVAL)	核對(CHECKED)	製圖(DRAWN)
SCALE 1:1	張數 1	張數 1
PROJ.	REV B	



更改 REV	變更內容 MODIFICATION
A	EC05011
B	EC12715



RECOMMEND PCB LAYOUT
GENERAL TOLERANCE ± 0.05



Pin No.	MICRO SD	
PIN1	DAT2	1P
PIN2	CD/DAT3	2P
PIN3	CMD	3P
PIN4	VDD	4P
PIN5	CLK	5P
PIN6	VSS	6P
PIN7	DAT0	7P
PIN8	DAT1	8P
PIN9	CARD DETECT	

GENERAL TOLERANCE		KINGCONN 皇海科技股份有限公司	
X \pm 0.50	X* \pm 5°	名稱(TITLE) Micro SD Push conn 內焊 帶檢測PIN	
.X \pm 0.30	.X* \pm 2°		
.XX \pm 0.20	.XX* \pm 1°		
單位(UNIT) mm	料號(PART NO.) 7MSDP-F0-0029	圖號(DWG NO.) 7MSDP-F0-0029-B	
審核(APPROVAL)	檢核(CHECKED)	製圖(DRAWN)	比例 SCALE 1:1
			張數 SHEET 2 / 2
			更改 REV B

