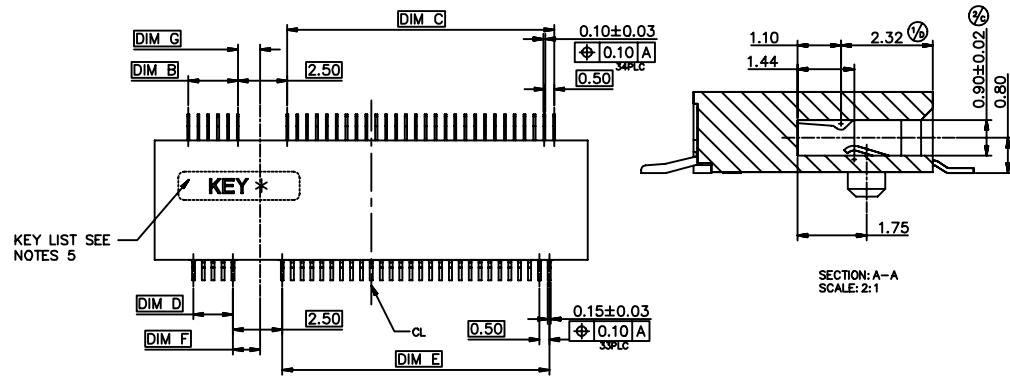
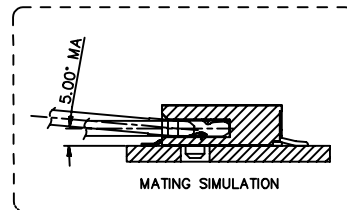
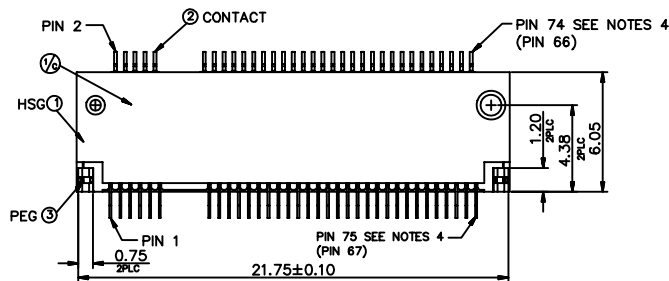
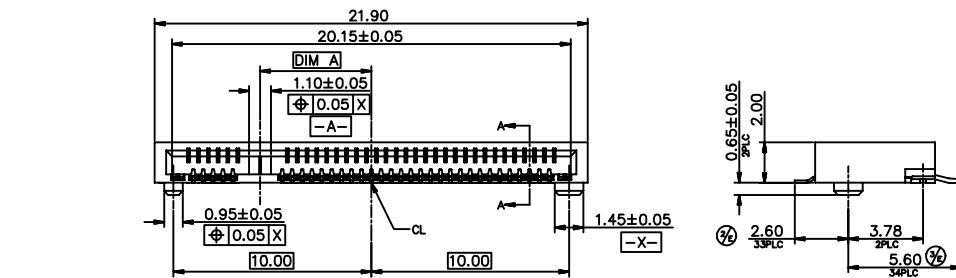


更改 REV	變更內容 MODIFICATION
A	ECXXXXX



NOTES:

- MATERIAL:
 - HOUSING: HIGH TEMPERATURE THERMOPLASTICS,UL94V-0,COLOR:BLACK
 - CONTACT: COPPER ALLOY.
 - SOLDER PEG: STAINLESS STEEL.
- FINISH:
 - CONTACT: UNDERPLATING NICKEL 50u" MIN ALL OVER. MATTE TIN 80u"MIN PLATING ON SOLDER TAIL. CONTACT AREA: Au PLATING BY ORDER,
 - SOLDER PEG:MATTE TIN 80u" MIN. AND NICKEL 50u" MIN UNDERPLATED.
- CONNECTOR ACTUAL PIN QUANTITY IS 67, AS THE KEY TAKING OUT 8 PINS.
- RECOMMENDED PCB THICKNESS: 1.0 MM.



7NGFF-F0-0020-X

KEY NAME	DIM A	DIM B	DIM C	DIM D	DIM E	DIM F	DIM G
M	-6.125	14.0	2.0	14.0	1.5	1.125	1.375
L	-5.125	13.0	3.0	13.0	2.5	1.125	1.375
K	-4.125	12.0	4.0	12.0	3.5	1.125	1.375
J	-3.125	11.0	5.0	11.0	4.5	1.125	1.375
H	-2.125	10.0	6.0	10.0	5.5	1.125	1.375
G	-1.125	9.0	7.0	9.0	6.5	1.125	1.375
F	1.625	6.5	9.5	6.0	9.5	1.375	1.125
E	2.625	5.5	10.5	5.0	10.5	1.375	1.125
D	3.625	4.5	11.5	4.0	11.5	1.375	1.125
C	4.625	3.5	12.5	3.0	12.5	1.375	1.125
B	5.625	2.5	13.5	2.0	13.5	1.375	1.125
A	6.625	1.5	14.5	1.0	14.5	1.375	1.125

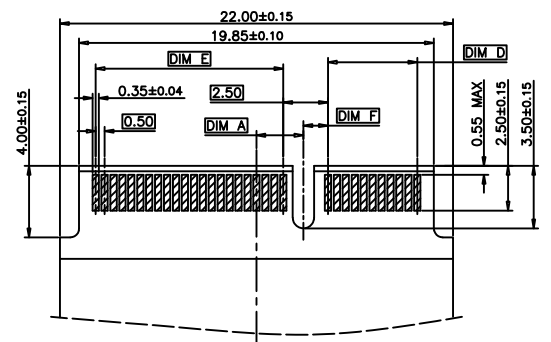
NO.	DESCRIPTION	MATERIAL	COLOR	REMARK
3	PEG	STAINLESS STEEL		Ni Plated
2	CONTACT	COPPER ALLOY		Gold/Tin Plated
1	HOUSING	UL 94V-0	BLACK	-



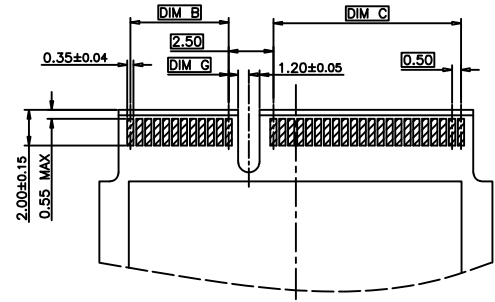
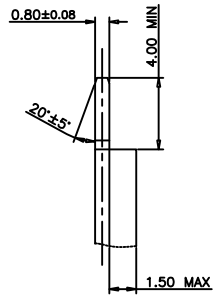
GENERAL TOLERANCE		KINGCONN 皇海科技股份有限公司	
X± 0.50	X*± 5°	名廠TITLED NGFF 2.0H板上系列圖	
.X± 0.30	.X*± 2°		
.XX± 0.20	.XX*± 1°		
單位(UNIT)	料號(PART NO.)	圖號(DWG NO.)	
mm	7NGFF-F0-0020-X	7NGFF-F0-0020-X	
審核(APPROVAL)	核對(CHECKED)	製圖(DRAWN)	比例 SCALE 1:1
			張數 SHEET 1/2
			更改 REV A

更改 REV	修改内容 MODIFICATION
A	ECXXXX

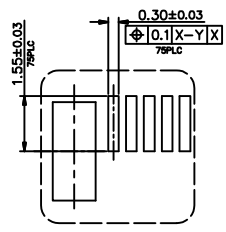
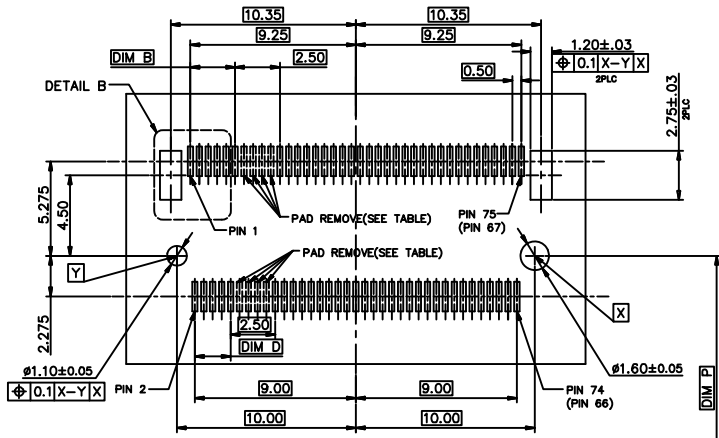
PLUG PCB



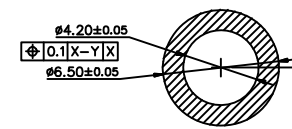
BOTTOM SIDE



TOP SIDE



DETAIL B
SCALE 2:1



RECOMMENDED NGFF PCB LAYOUT

3	PEG	STAINLESS STEEL		Ni Plated
2	CONTACT	COPPER ALLOY		Gold/Tin Plated
1	HOUSING	UL 94V-0	BLACK	-
NO.	DESCRIPTION	MATERIAL	COLOR	REMARK

22110	114.00
2280	84.00
2260	64.00
2242	46.00
2230	34.00
3042	46.00
3030	34.00

7NGFF-F0-0020-X

		MODULE TYPE						DIM P
M	PIN 59-66	-6.125	14.0	2.0	14.0	1.5	1.125	1.375
L	PIN 55-62	-5.125	13.0	3.0	13.0	2.5	1.125	1.375
K	PIN 51-58	-4.125	12.0	4.0	12.0	3.5	1.125	1.375
J	PIN 47-54	-3.125	11.0	5.0	11.0	4.5	1.125	1.375
H	PIN 43-50	-2.125	10.0	6.0	10.0	5.5	1.125	1.375
G	PIN 39-46	-1.125	9.0	7.0	9.0	6.5	1.125	1.375
F	PIN 28-35	1.625	6.5	9.5	6.0	9.5	1.375	1.125
E	PIN 24-31	2.625	5.5	10.5	5.0	10.5	1.375	1.125
D	PIN 20-27	3.625	4.5	11.5	4.0	11.5	1.375	1.125
C	PIN 16-23	4.625	3.5	12.5	3.0	12.5	1.375	1.125
B	PIN 12-19	5.625	2.5	13.5	2.0	13.5	1.375	1.125
A	PIN 8-15	6.625	1.5	14.5	1.0	14.5	1.375	1.125
KEY ID	PAD REMOVED	DIM A	DIM B	DIM C	DIM D	DIM E	DIM F	DIM G

GENERAL TOLERANCE		KINGCONN 皇海科技股份有限公司	
X±0.50	X°±5°	名 稱(TITLE) NGFF 2.0H板上系列圖	
X±0.30	X°±2°		
.XX±0.20	.XX°±1°		
比例(UNIT) mm	料號(PART NO.) 7NGFF-F0-0020-X	圖號(DWG NO.) 7NGFF-F0-0020-X	
審核(APPROVAL)	核對(CHECKED)	製圖(DRAWN)	比例(SCALE) 1:1
			張數(SHEET) 2/2
			更改(REV) A

