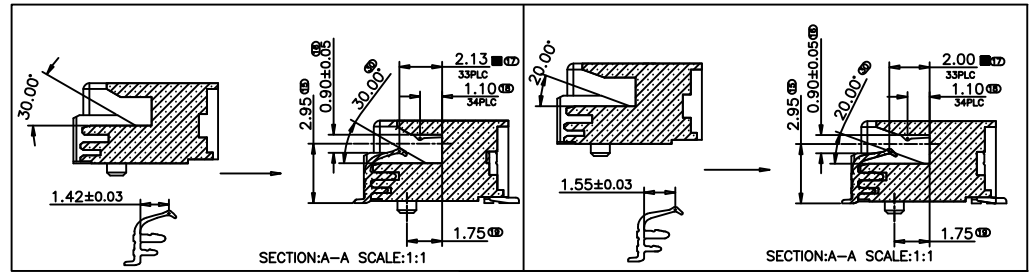
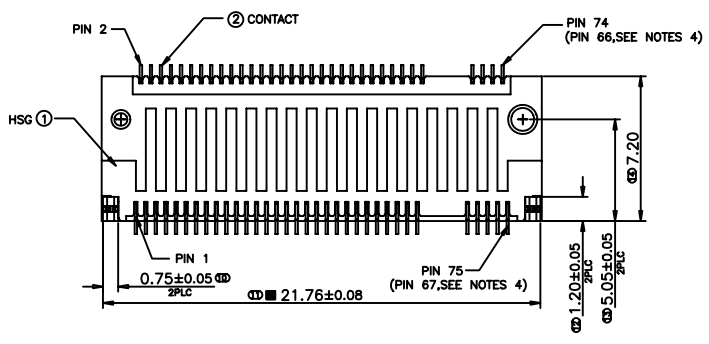
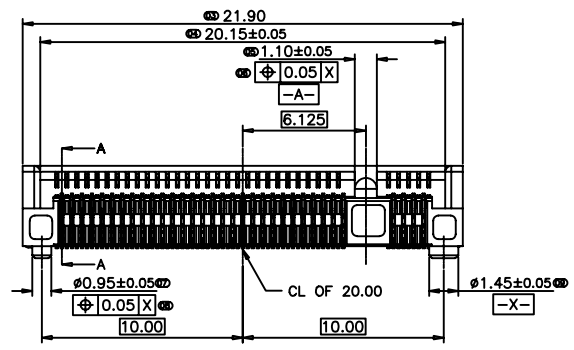
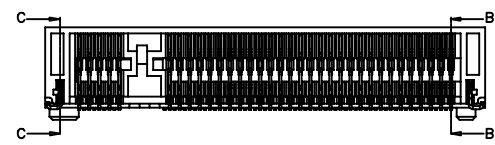
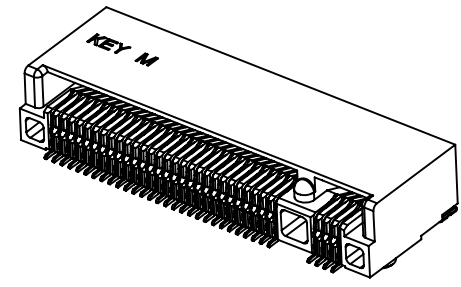
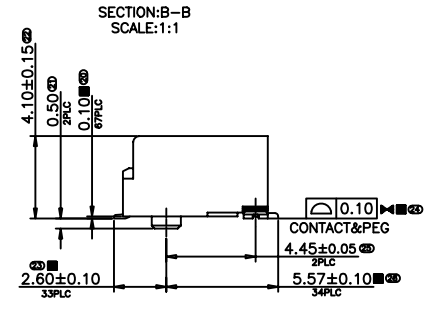
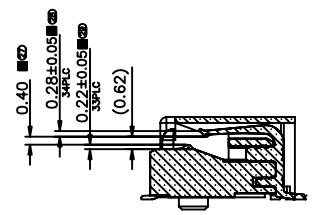
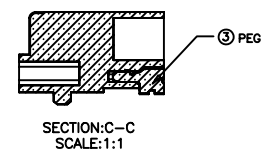
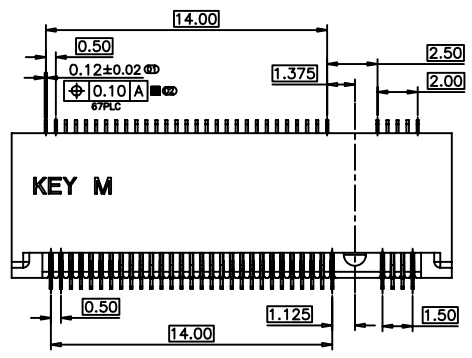


更改 REV	设计变更 MODIFICATION
A	ECXXXXX

NOTES:

- MATERIAL:
 - HOUSING:LCP, BLACK,UL94V-0
 - CONTACTS:PHOSPHOR BRONZE
 - PEG:SUS 304
- FINISH:
 - CONTACT: GOLD PLATING (1u") ON CONTACT AREA AND GOLD FLASH ON SOLDER TAIL,50u"MIN NICKEL UNDERPLATING OVERALL
 - PEG: 50u"MIN NICKEL UNDERPLATING OVERALL,100u"MIN MATTE TIN ON SURFACE
- RETENTIVITY FORCE IS 0.1kg MIN FOR TERMINAL AND PEG,RELIABILITY TEST ACCORDING
- CONNECTOR ACTUAL PIN QUANTITY IS 67, AS THE KEY TAKING OUT 8 PINS.



3	PEG	SUS304		Tin/Ni Plated
2	CONTACT	PHOSPHOR BRONZE		Gold/Ni Plated
1	HOUSING	LCP	BLACK	UL 94V-0
NO.	DESCRIPTION	MATERIAL	COLOR	REMARK

GENERAL TOLERANCE	
X± 0.50	X*± 5 °
.X± 0.30	.X*± 2 °
.XX± 0.20	.XX*± 1 °

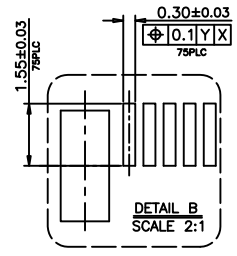
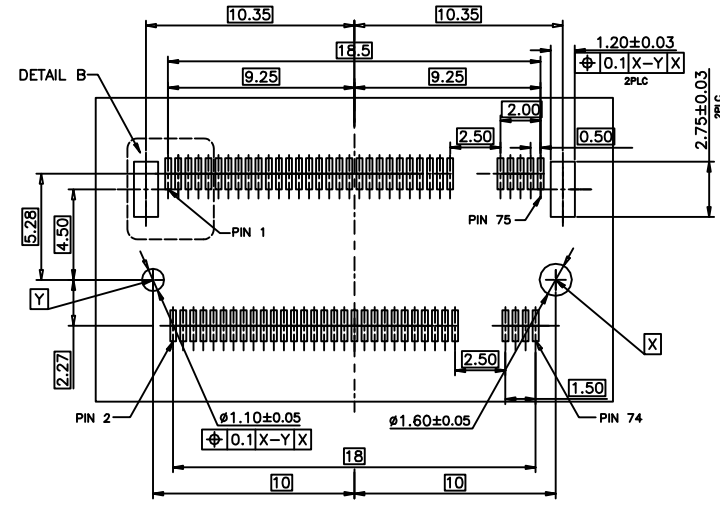
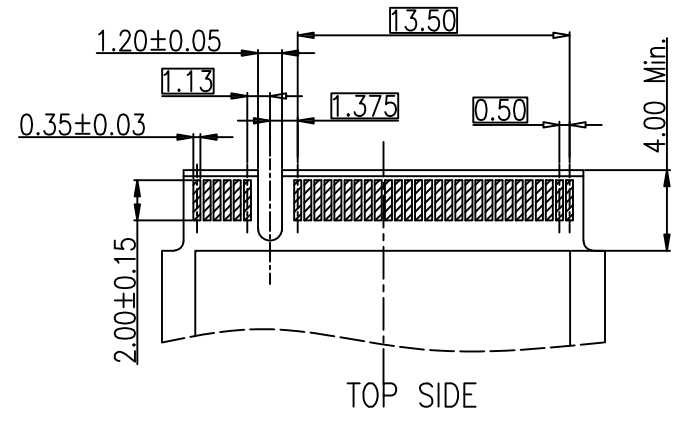
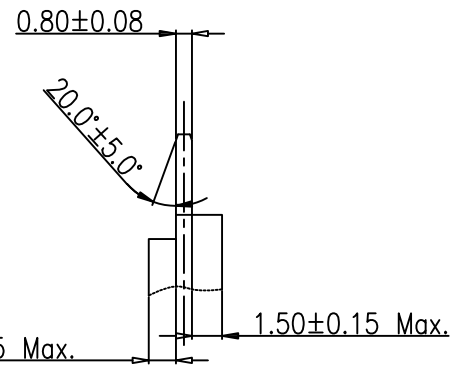
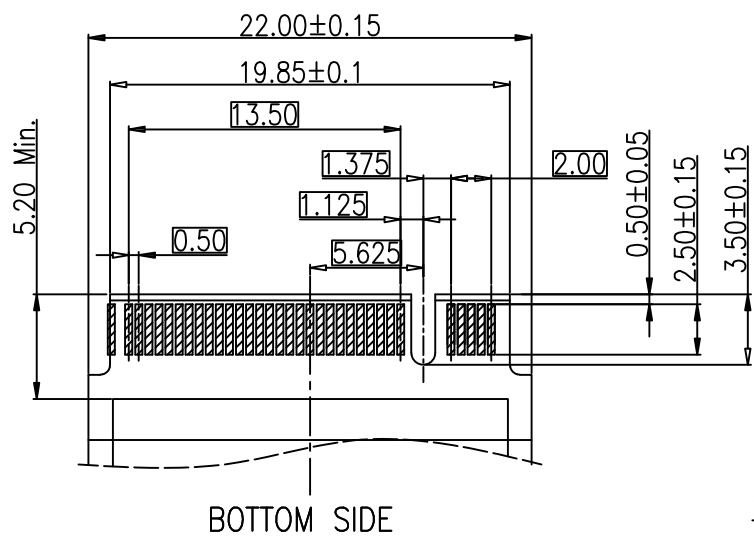
KINGCONN	皇海科技股份有限公司
名称(TITLE)	
NGFF M KEY H:4.0mm	



单位(UNIT)	料号(PART NO.)	图号(DWG NO.)
mm	7NGFF-F0-0402	7NGFF-F0-0402
审核(APPROVAL)	核数(CHECKED)	制图(DRAWN)
比例(SCALE)	1:1	张数(SHEET)
比例(SHEET)	1/1	更改(REV)
比例(REV)	A	

更改 REV	变更记录 MODIFICATION
A	ECXXXXX

PLUG PCB



RECOMMENDED PCB LAYOUT
GENERAL TOLERANCE : ±0.05mm

GENERAL TOLERANCE		KINGCONN 皇海科技股份有限公司	
X± 0.50	X°± 5°	名称(TITLE) NGFF M KEY H:4.0mm	
.X± 0.30	.X°± 2°		
.XX± 0.20	.XX°± 1°		
单位(UNIT)	料号(PART NO.)	图号(DWG NO.)	
mm	7NGFF-F0-0402	7NGFF-F0-0402	
审核(APPROVAL)	核数(CHECKED)	制图(DRAWN)	比例 SCALE 1:1
			张数 SHEET 2/2
			更改 REV A

