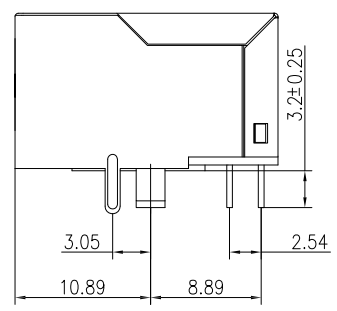
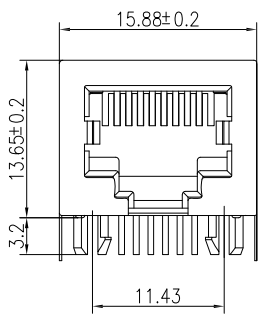


更改 REV	数量 MODIFICATION
A	ECXXXXX



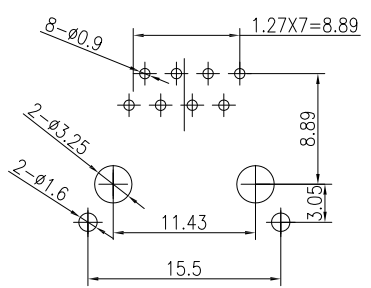
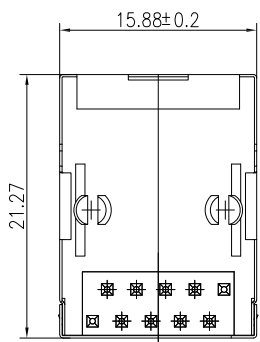
NOTES

- MATERIAL
- 1. HOUSING MATERIAL : GLASS FILLED POLYESTER UL94V-0.
 - 2. CONTACT MATERIAL : PHOSPHOR BRONZE $\varnothing 0.46\text{mm}$.
 - 3. PLATING : GOLD PLATING OVER NICKEL.
 - 4. SHIELD : 0.20mm THICKNESS COPPER ALLOY WITH NICKEL PLATED.

- ELECTRICAL
- 1. VOLTAGE RATING : 125 VAC RMS.
 - 2. CURRENT RATING : 1.5 AMP.
 - 3. CONTACT RESISTANCE : 30 MILLIOHMS MAX.
 - 4. INSULATION RESISTANCE : 500 MEGOHMS MIN @ 500V DC .
 - 5. DIELECTRIC DIELECTRIC RESISTANCE : 1000V AC RMS 50Hz. 1MIN.

- MECHANICAL
- 1. DURRABILITY : 750 CYCLES MIN.
 - 2. PCB RETENTIONPRE-SOLDER : 1 LB MIN.

- ENVIRONMENTAL:
- 1. STORAGE : -40°C ~ +85°C.
 - 2. OPERATION : 0° C TO 70° C.



PC Board Layout

GENERAL TOLERANCE		KINGCONN 皇海科技股份有限公司	
X±0.50	X.°±5°		
.X±0.30	.X°±2°		
.XX±0.20	.XX°±1°	名 (TITLED) RJ45 JACK	
单 (UNIT) mm	料 (PART NO) 7RJ45-F0-0002	图 (DWG NO) 7RJ45-F0-0002-A	
审 (APPROVAL)	核 (CHECKED)	製 (DRAWN)	比例 (SCALE) 1:1
			张数 (SHEET) 1/1
			更改 (REV) A

