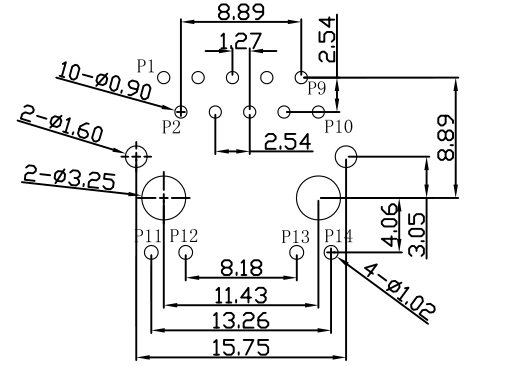
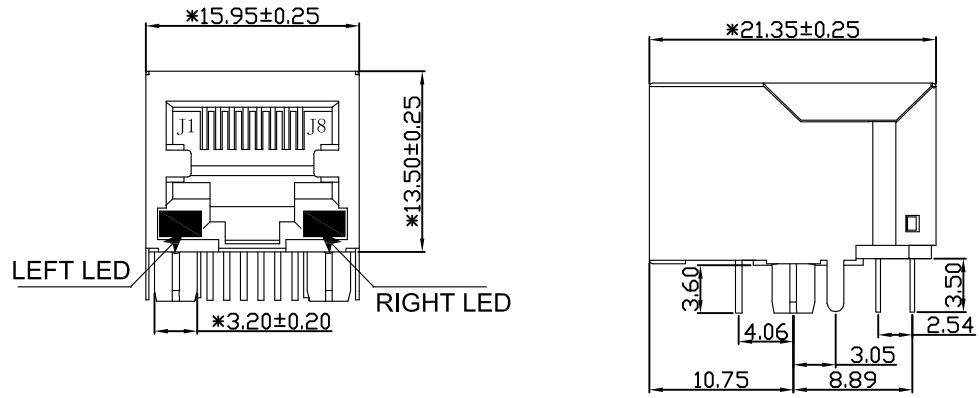
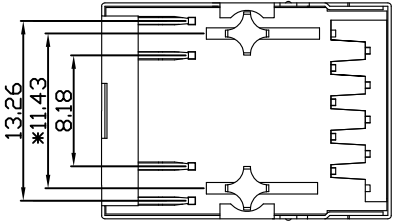


更改 REV	變更內容 MODIFICATION
A	ECXXXXX

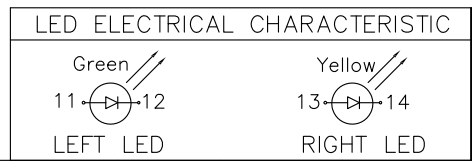


P. C. B RECOMMENDED HOLE LAYOUT SEEN FROM COMPONENT SIDE.
ALL CENTERLINE DIMENSIONS ARE BASIC



- Metal Shell : Copper Alloy, Finish: 30u" Nickel
- Housing : Thermoplastic,PBT,UL 94V-0,Black
- Insert : Thermoplastic,PBT,UL 94V-0,Black
- Contact Terminal/phosphor Bronze
6u" Gold on Contact Area, 100u" Tin on Solder,
Both over 50u" Nickel Under-Plated
- Coil Base : Phenolic,PBT,UL 94V-0,Black
Terminal/Copper Alloy T=0.35mm Thickness

Meets or exceeds IEEE 802.3 standard for 10/100/1000 Base-TX
350uH minimum OCL with 8mA Bias current
Available with or without LEDs
Minimum 1500Vrms isolation per IEEE802.3 requirement
Operating temperature -40°C to +85°C
Storage temperature -40°C to +85°C



Standard LED	Wavelength	Forward V (Min/Max)	Forward A	Type
Green	568nm	1.8V/2.8V	20mA	squareness
Yellow	585nm	1.8V/2.8V	20mA	squareness

GENERAL TOLERANCE		KINGCONN 皇海科技股份有限公司	
X± 0.50	X*± 5°	名稱(TITLE) RJ45 Connector With Transformer 1000Base Tab-down 1x1 Port with LED	
.X± 0.30	.X*± 2°		
.XX± 0.20	.XX*± 1°		
單位(UNIT)	料號(PART NO.)	圖號(DWG NO.)	
mm	7RJ45-F0-0091	7RJ45-F0-0091	
審核(APPROVAL)	核對(CHECKED)	製圖(DRAWN)	比例(SCALE)
			1:1
			張數(SHEET)
			1
			更改(REV)
			A

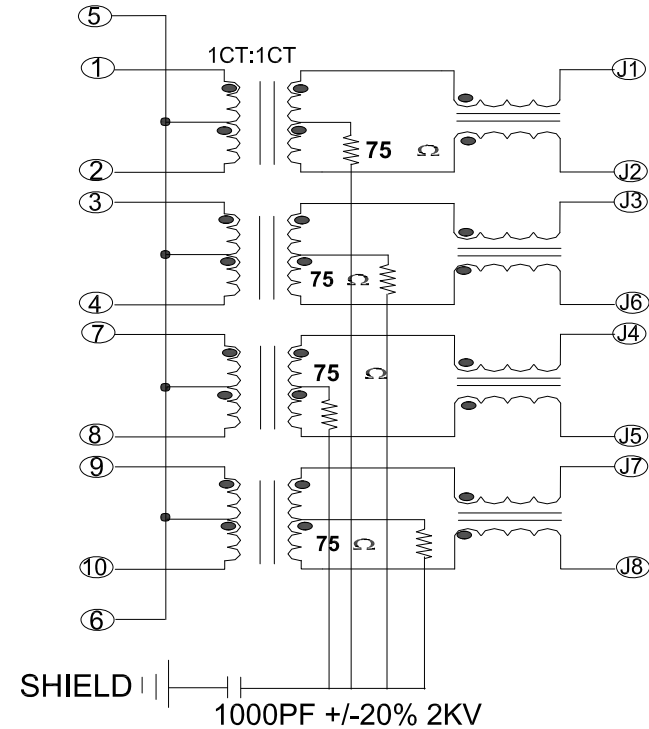


更改 REV	变更内容 MODIFICATION
A	ECXXXXX

ELECTRICAL SPECIFICATIONS@25°C UNLESS OTHERWISE NOTED:

- 1.Turn Ratio(+/-2%):1CT:1CT
- 2.Inductance OCL:
350uH Min @100KHz 0.1V DC BIAS 8mA
- 3.Insertion Loss:
-1.0dB Max @1.0-100MHz
- 4.Return Loss:
-20dB Min @1-10MHz
-16dB Min @10-30MHz
-12dB Min @30-60MHz
-10dB Min @60-100MHz
- 5.Cross talk:
-40dB Min @1-30MHz
-35dB Min @30-60MHz
-30dB Min @60-100MHz
- 6.Common Mode Rejection:
-35dB Min @1-100MHz
-20dB Min @50-150MHz
- 7.HIPOT TEST:1500Vrms 1mA.Max

SCHEMATICS :



GENERAL TOLERANCE		KINGCONN 皇海科技股份有限公司
X± 0.50	X*± 5°	
.X± 0.30	.X*± 2°	
.XX± 0.20	.XX*± 1°	名称(TITLE) RJ45 Connector With Transformer 1000Base Tab-down 1x1 Port with LED
单位(UNIT) mm	料号(PART NO.) 7RJ45-F0-0091	图号(DWG NO.) 7RJ45-F0-0091
审核(APPROVAL)	核对(CHECKED)	制图(DRAWN)
		比例 SCALE 1:1
		张数 SHEET 2
		更改 REV A

