

更改 REV	设计前卷 MODIFICATION
A	ECXXXXX

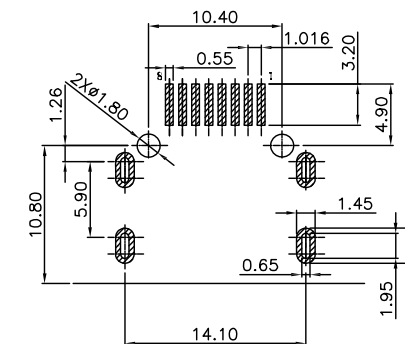
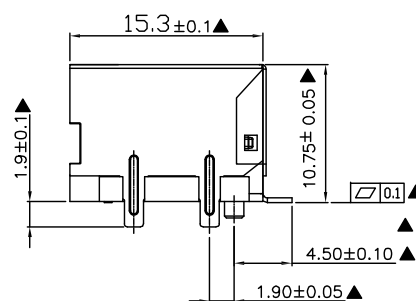
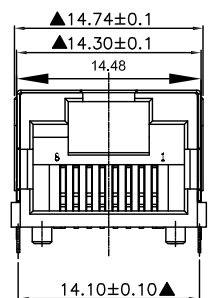
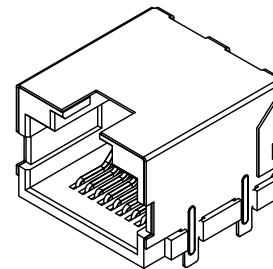
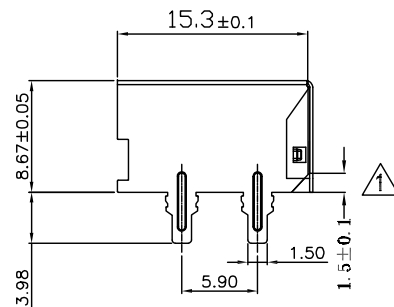
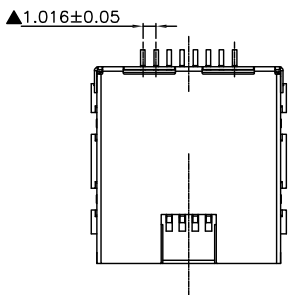
SPECIFICATION NOTES:

1.MECHANICAL:

- 1.1. HOUSING:HIGH TEMPERATURE, THERMOPLASTIC, BLACK, UL 94V-0
- 1.2.CONTACT:PHOSPHOR BRONZE THICKNESS=0.30mm.
- 1.3.PLATING:FLASH GOLD PLATING AT CONTACT AREA, MATTE TIN AT TAIL 100U MIN., NICKEL 80U MIN. OVER ALL.
- 1.4.SHELL:BRASS THICKNESS=0.20mm.
- 1.5.OPERATING LIFE:750 CYCLES .

2.ENVIRONMENTAL:

- 2.1.STORAGE:0°C TO +70°C RELATIVE HUMIDITY<80%
- 2.2.GUARANTEEE PERIOD:12 MONTHS
- 2.3.OPERATION: -40°C TO +85°C
- 2.4.IR TEMPERATURE: 255±5°C 5 SECONDS.



P. C. B 孔位参考图(±0.05)

GENERAL TOLERANCE		KINGCONN	皇海科技股份有限公司
X± 0.50	X°± 5°		
X± 0.30	X°± 2°		
.XX± 0.20	.XX°± 1°	名 廠(TITLE) RJ45 SMT	
單位(UNIT) mm	料 號(PART NO.) 7RJ45-F0-1101	圖 號(DWG NO.) 7RJ45-F0-1101	
審 核(APPROVAL)	核 對(CHECKED)	製 圖(DRAWN)	比 例 SCALE 1:1
			張 數 SHEET 1/1
			現 改 REV A

