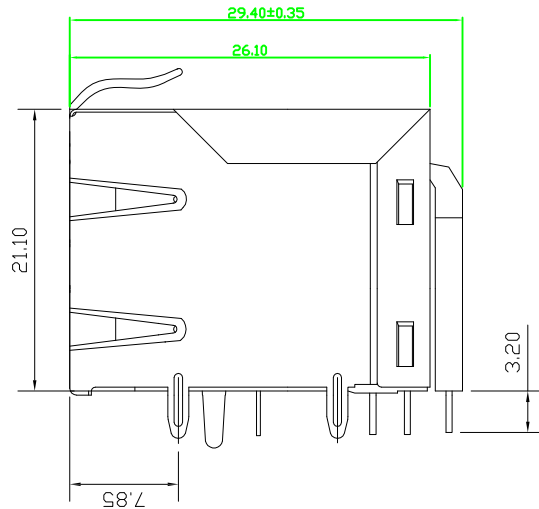
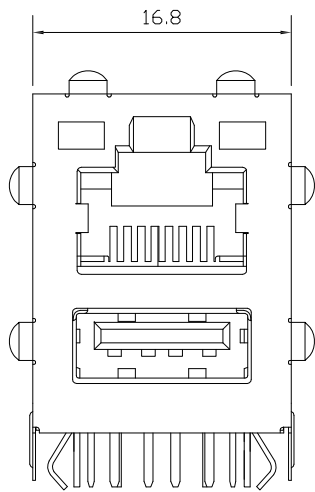
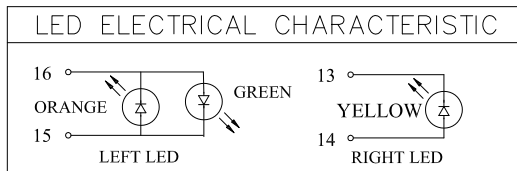
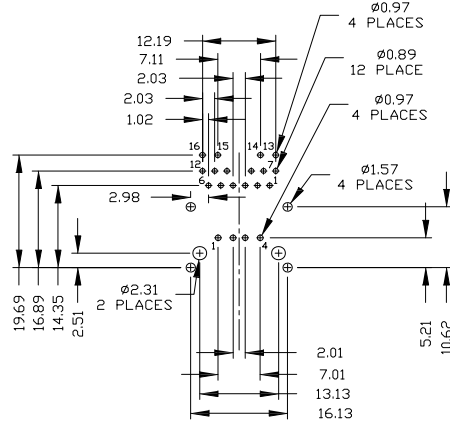


更改 REV	品管 MODIFICATION
A	ECXXXXX



**Metal Shell** : Copper Alloy, Finish: 30u" Nickel  
**Housing** : Thermoplastic,PBT,UL 94V-0,Black  
**Insert** : Thermoplastic,PBT,UL 94V-0,Black  
**Contact Terminal**/phosphor Bronze  
**6u" Gold on Contact Area, 100u" Tin on Solder, Both over 50u" Nickel Under-Plated**  
**Coil Base** : Phenolic,PBT,UL 94V-0,Black  
**Terminal/Copper Alloy T=0.40X0.40mm Thickness**

Meets or exceeds IEEE 802.3 standard for 10/100/1000 Base-TX  
 350uH minimum OCL with 8mA Bias current  
 Available with or without LEDs  
 Minimum 1500Vrms isolation per IEEE802.3 requirement  
 Operating temperature 0°c to +70°c  
 Storage temperature -40°c to +85°c



Standard LED	Wavelength	Forward V (Min/Max)	Forward A	Type
Green	568nm	1.8V/2.8V	20mA	squareness
Yellow	585nm	1.8V/2.8V	20mA	squareness

GENERAL TOLERANCE		KINGCONN 皇海科技股份有限公司	
X± 0.50	X*± 5°	名 稱(TITLE) <b>RJ45+USB2.0 Connector With Transformer 1000Base Tab-UP 2x1 Port with LED</b>	
.X± 0.30	.X*± 2°		
.XX± 0.20	.XX*± 1°		
單位(UNIT) mm	料 號(PART NO.) 7RJUS-F0-0008	圖 號(DWG NO.) 7RJUS-F0-0008	
審核(APPROVAL)	核 對(CHECKED)	製 圖(DRAWN)	比 例 SCALE 1:1 圖 號 SHEET 1/1 更 改 REV A

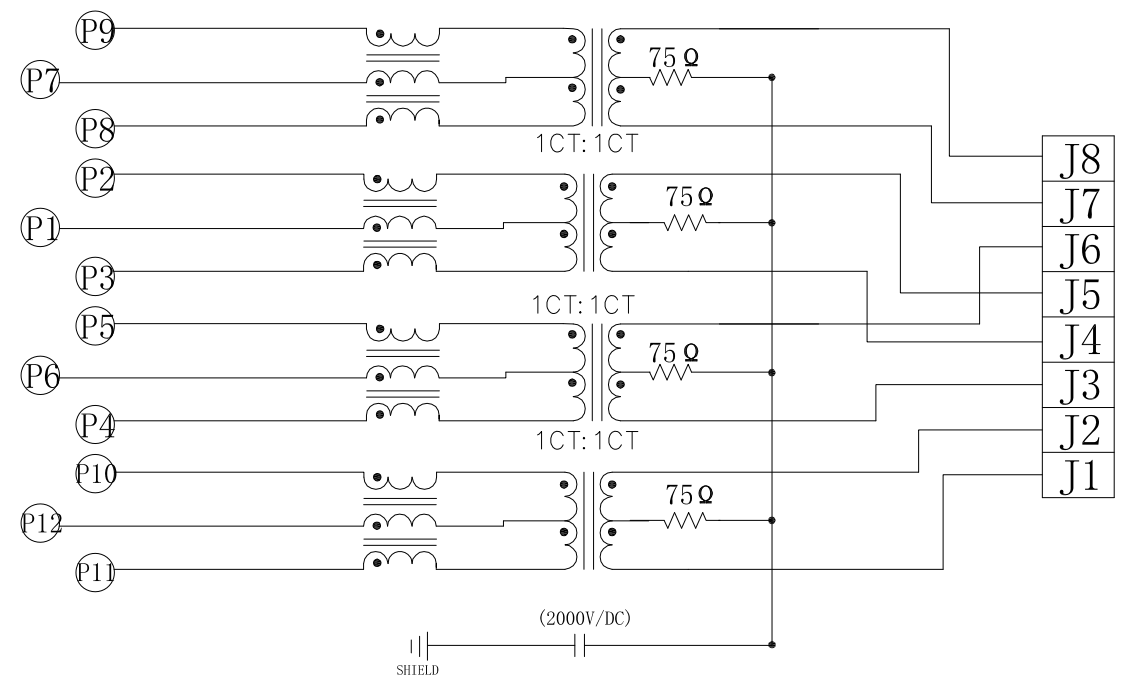


更改 REV	设计内容 MODIFICATION
A	ECXXXXX

ELECTRICAL SPECIFICATIONS@25°C UNLESS OTHERWISE NOTED:

- 1.Turn Ratio(+/-2%):1CT:1CT
- 2.Inductance OCL:  
350uH Min @100KHz 0.1V DC BIAS 8mA
- 3.Insertion Loss:  
-1.0dB Max @1.0-100MHz
- 4.Return Loss:  
-20dB Min @1-30MHz  
-16dB Min @30-60MHz  
-12dB Min @60-80MHz
- 5.Cross talk:  
-40dB Min @1-30MHz  
-35dB Min @30-80MHz
- 6.Common Mode Rejection:  
-35dB Min @1-100MHz  
-20dB Min @50-150MHz
- 7.HIPOT TEST:1500Vrms 1mA.Max

SCHEMATICS:



GENERAL TOLERANCE		KINGCONN 皇海科技股份有限公司	
X± 0.50	X*± 5°	名 (TITLE) <b>RJ45+USB2.0 Connector With Transformer 1000Base Tab-UP 2x1 Port with LED</b>	
.X± 0.30	.X*± 2°		
.XX± 0.20	.XX*± 1°		
单 (UNIT) mm	料 (PART NO) 7RJUS-F0-0008	图 (DVG NO) 7RJUS-F0-0008	
审 (APPROVAL)	核 (CHECKED)	製 (DRAWN)	SCALE 1:1 张数 SHEET 2/2 PROJ. 更改 REV A

