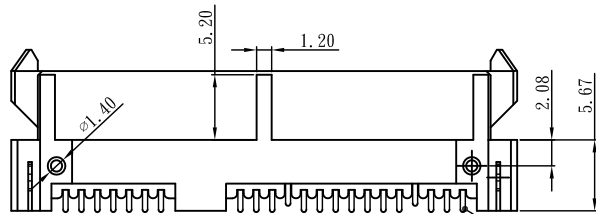
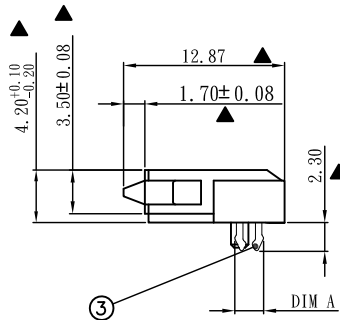
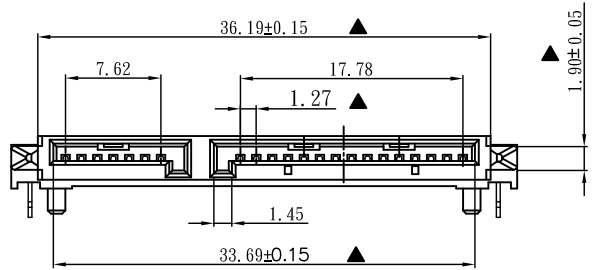
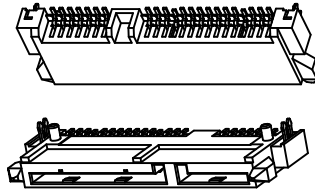
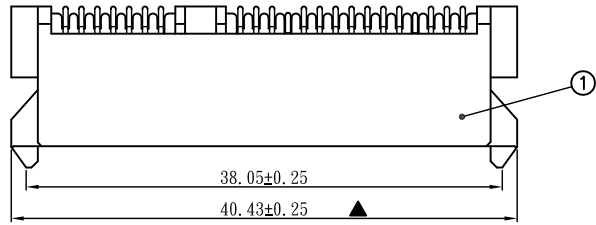


更改 REV	變更內容 MODIFICATION
A	ECXXXXX

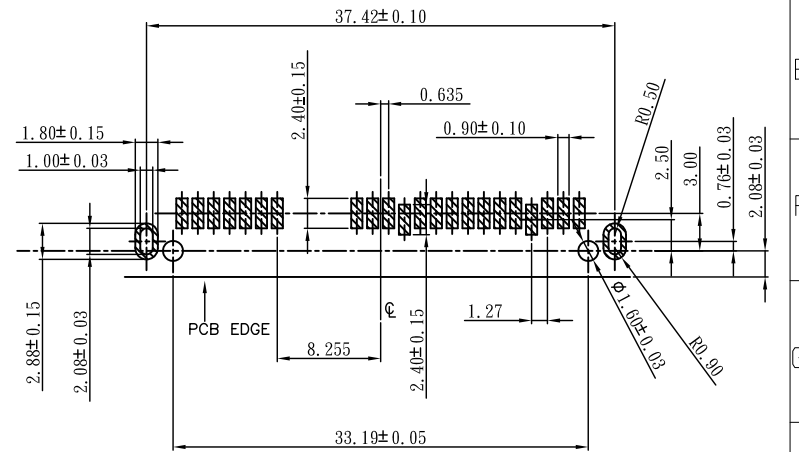
SPECIFICATION:  
 1.MATERIAL:  
 HOUSING: LCP UL 94V-0  
 COLOR:BLACK  
 CONTACT: PHOSPHOR BRONZE C5191R-H,T=0.25mm  
 PEG: BRASS C2680R-H,T=0.30mm  
 2.FINISH:  
 CONTACT:1u" GOLD/TIN PLATING ON CONTACT AREA  
 100u" MIN. TIN PLATING ON SOLDER TAILS  
 50u" MIN.NICKEL UNDERPLATING OVER ALL  
 PEG:100u" MIN. TIN PLATING ON SOLDER TAILS  
 50u" MIN.NICKEL UNDERPLATING OVER ALL



ITEM	DIM A
1	2.10
2	2.30
3	2.45
4	2.59

7SATA-X0-0016

F:1u"gold  
 D:3u"gold  
 A:5u"gold  
 C:15u"gold



RECOMMEND PCB LAYOUT (T=1.2)  
 PCB TOLERANCE:±0.05

GENERAL TOLERANCE		KINGCONN 皇海科技股份有限公司
X± 0.50	X*± 5°	
.X± 0.30	.X*± 2°	
.XX± 0.20	.XX*± 1°	名稱(TITLE) SATA 7+15P 母座 SMT H: 4.20 板下型側插魚叉
單位(UNIT) mm	料號(PART NO) 7SATA-X0-0016	圖號(DWG NO) 7SATA-X0-0016
審核(APPROVAL)	檢核(CHECKED)	製圖(DRAWN)
SCALE 1:1		張數 SHEET 1/1
PROJ.		更改 REV A