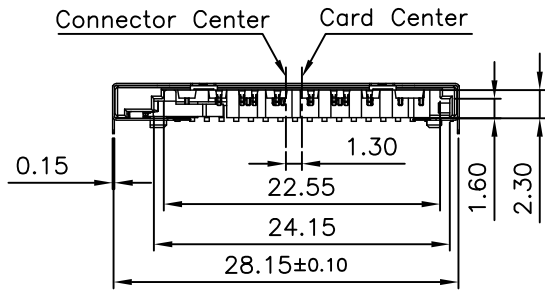
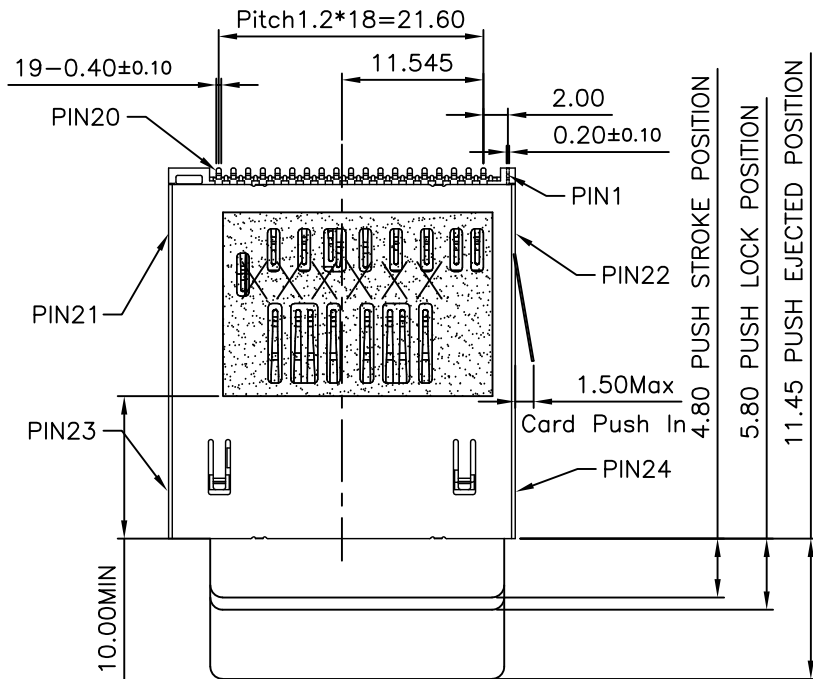
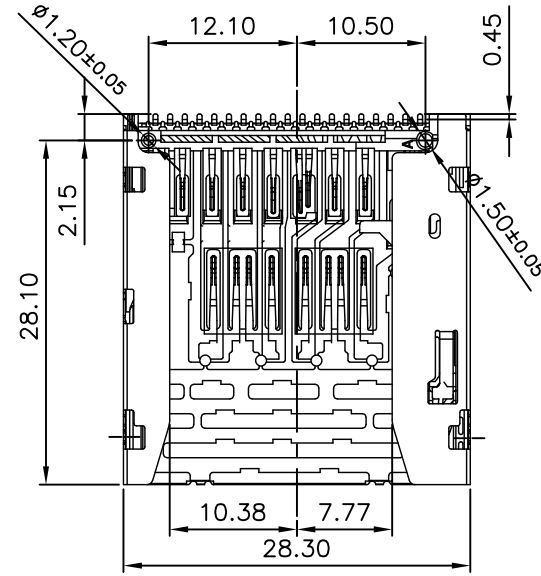
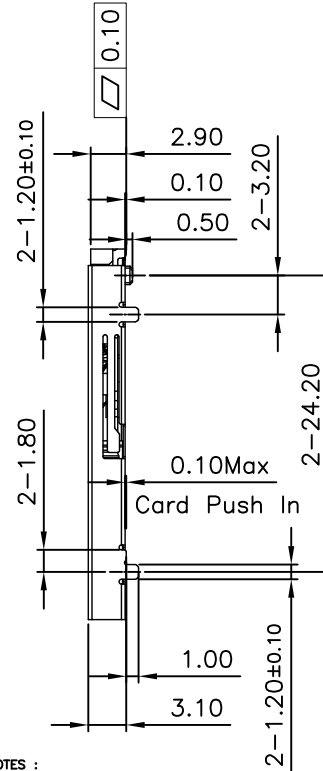


更改 REV	数量 MODIFICATION
A	ECXXXXX



NOTES :

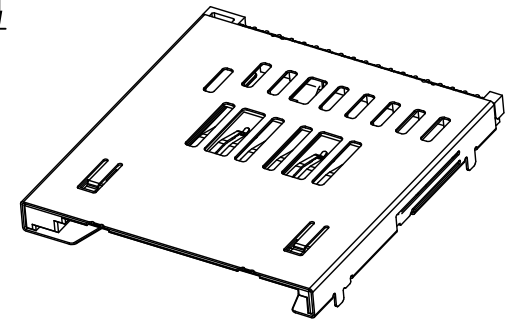
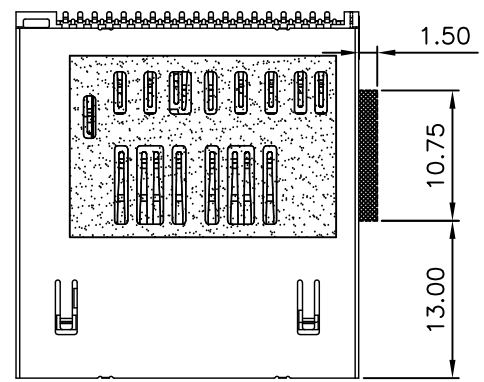
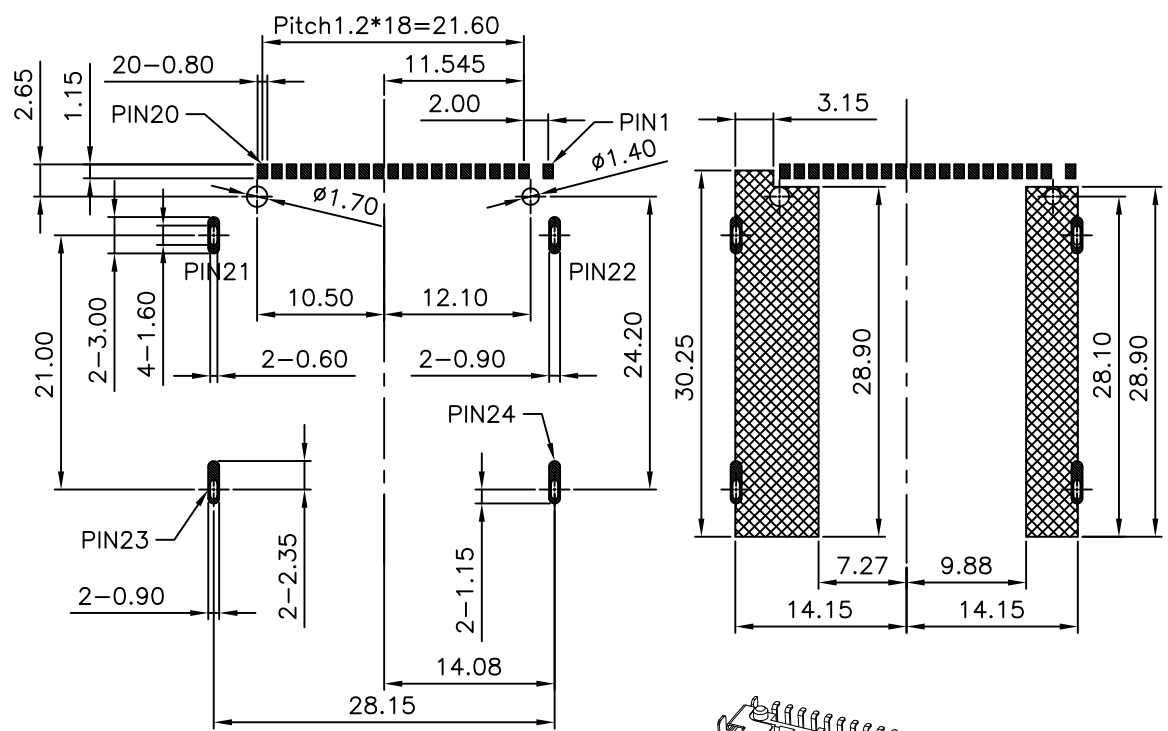
- MATERIAL :
  - HOUSING:LCP UL94 V-0, BLACK COLOR.
  - SHELL:STAINLESS STEEL.
  - CONTACT:COPPER ALLOY.
- FINISH :
  - CONTACT: GOLD PLATING ON CONTACT AREA, MATTE TIN 100u"MIN ON SOLDER TAIL AREA. 50u" MIN NICKEL PLATING OVERALL.
  - SHELL: 30U" MIN SOLDERABLE NICKEL PLATED OVER ALL.
- ELECTRICAL CHARACTERISTICS:
  - OPERATING VOLTAGE : 100V AC(rms)/DC.
  - CURRENT RATING : 0.5 A.
  - OPERATING TEMPERATURE: -25°C~+85°C.
  - CONTACT RESISTANCE: 100 m OHMS MAX.
  - INSULATION RESISTANCE: 1000M OHMS MIN. AT 250VDC.
  - DIELECTRIC WITHSTANDING VOLTAGE:500 VAC/1MINUTE.





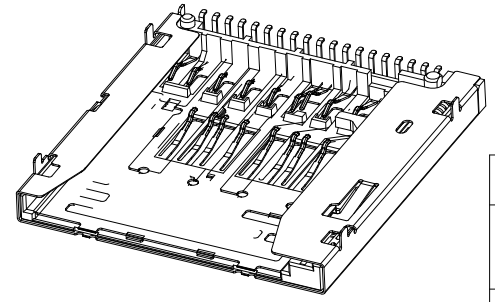
GENERAL TOLERANCE		KINGCONN 皇海科技股份有限公司	
X± 0.50	X*± 5°	名 稱(TITLE) SD4.0 PUSH H:3.10 REVERSE	
.X± 0.30	.X*± 2°		
.XX± 0.20	.XX*± 1°		
單 位(UNIT) mm	料 號(PART NO.) 7SD40-FA-0008	圖 號(DWG NO.) 7SD40-FA-0008	
審 核(APPROVAL)	核 對(CHECKED)	製 圖(DRAWN)	比 例 SCALE 1:1 張 數 SHEET 1 / 1 更 改 REV A



更改 REV	设计变更 MODIFICATION
A	ECXXXX



 PAD  
 NO TRACE , NO TEST POINT,  
 NO VIA HOLE, NO GROUND AREA



WITHOUT CARD		CARD INSERTED:LOCK		CARD INSERTED:UNLOCK	
C/D #12	VSS1 #11	C/D #12	VSS1 #11	C/D #12	VSS1 #11
WP #1	GND #21~24	WP #1	GND #21~24	WP #1	GND #21~24

GENERAL TOLERANCE		KINGCONN 皇海科技股份有限公司
X± 0.50	X°± 5°	
.X± 0.30	.X°± 2°	
.XX± 0.20	.XX°± 1°	名 (TITLE) SD4.0 PUSH H:3.10 REVERSE
单 (UNIT) mm	料 (PART NO.) 7SD40-FA-0008	图 (DWG NO.) 7SD40-FA-0008
审 (APPROVAL)	核 (CHECKED)	製 (DRAWN)
SCALE 1:1		张数 SHEET 2 / 4
PRDL		更改 REV A



更改 REV	版本内容 MODIFICATION
A	ECXXXX

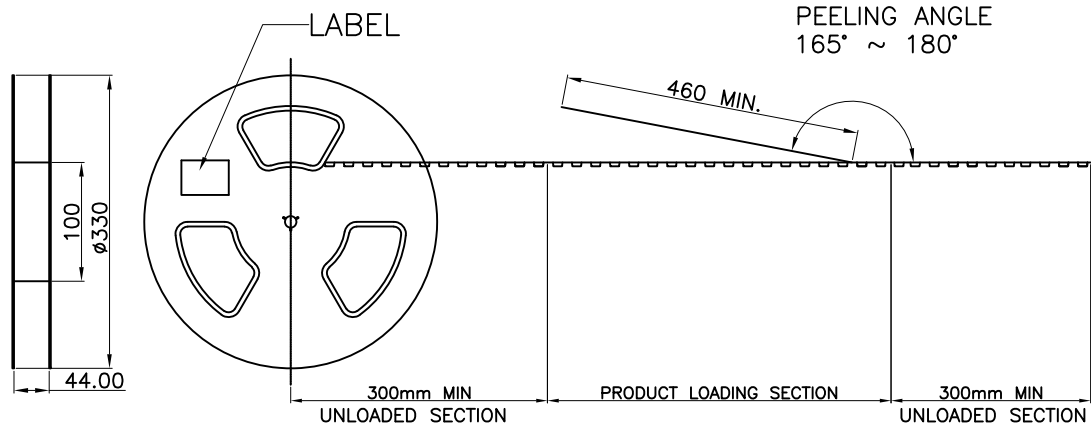
## Pin Define

Connector PinNo.	Specifications SD4.0 PinNo.	Specifications MMC PinNo.	SD Mode			UHS-II Mode			MMC		
			Name	Type	Description	Name	Type	Description	Name	Type	Description
P1			WP			WP					
P2	P8		DAT1	I/O/PP	Data Line[Bit 1]	RCLK-	I				
P3	P7	P7	DAT0	I/O/PP	Data Line[Bit 0]	RCLK+	I		DAT	I/O/PP	Data
P4	P17		—		Not Used(Connected to ground)	VSS5	S	Supply voltage ground			
P5	P6	P6	VSS2	S	Supply voltage ground	VSS2	S	Supply voltage ground	VSS	S	Supply voltage ground
P6	P16		—		Not Used	D1+	LVDS				
P7	P5	P5	CLK	I	Clock	—		Not Used	CLK	I	Clock
P8	P15		—		Not Used	D1-	LVDS				
P9	P4	P4	VDD	S	Supply voltage	VDD1	S	Supply voltage(3.3V)	VDD	S	Supply voltage
P10	P14		—		Not Used	VDD2	S	Supply voltage(1.8V)			
P11	P3	P3	VSS1	S	Supply voltage ground	VSS1	S	Supply voltage ground	VSS	S	Supply voltage ground
P12			CD			CD					
P13	P13		—		Not Used(Connected to ground)	VSS4	S	Supply voltage ground			
P14	P2	P2	CMD	PP	Command/Response	—		Not Used	CMD	I/O/PP/OD	Command/Reserved
P15	P12		—		Not Used	D0-	LVDS				
P16	P1	P1	CD/DAT3	I/O/PP	Card Detect/ Data Line[Bit 3]	—		Not Used	RSV	NC	Reserved for future use
P17	P11		—		Not Used	D0+	LVDS				
P18	P9		DAT2	I/O/PP	Data Line[Bit 2]	—					
P19	P10		—		Not Used(Connected to ground)	VSS3	S	Supply voltage ground			
P20			GND			GND			GND		
P21			GND			GND			GND		
P22			GND			GND			GND		
P23			GND			GND			GND		
P24			GND			GND			GND		

GENERAL TOLERANCE		KINGCONN 皇海科技股份有限公司
X± 0.50	X*± 5°	
.X± 0.30	.X*± 2°	
.XX± 0.20	.XX*± 1°	名 称(TITLE) SD4.0 PUSH H:3.10 REVERSE
单 位(UNIT) mm	料 号(PART NO.) 7SD40-FA-0008	图 号(DWG NO.) 7SD40-FA-0008
审 核(APPROVAL)	核 对(CHECKED)	制 图(DRAWN)
SCALE 1:1		张 数 SHEET 3 / 4
PROJ.		更 改 REV A

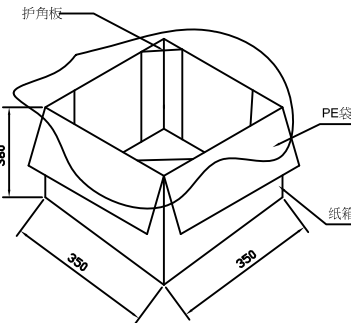
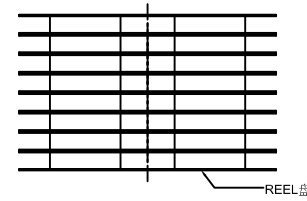


更改 REV	修改 MODIFICATION
A	ECXXXX

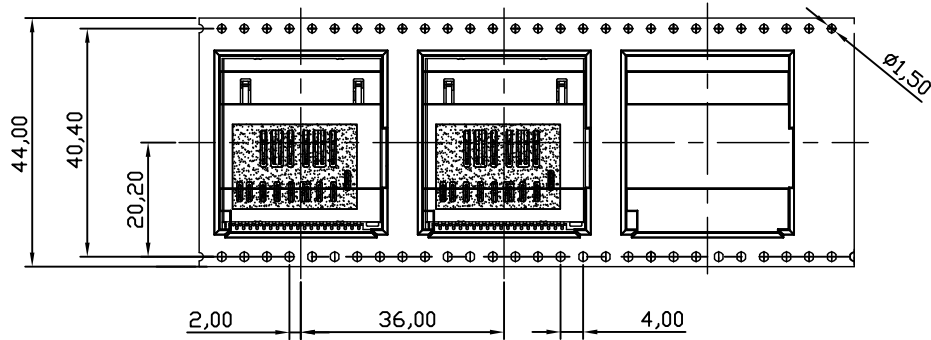


NOTES :

- MATERIAL :  
COVER TAPE : P.S  
CARRIER TAPE : P.S  
REEL : PS UL94V-0  
CARTON: CORRUGATED FIBER
- DIMENSION :  
REEL : SEE DRAWING  
SHIPPING BOX: 350X350X380mm
- QUANTITY : SEE TABLE
- PEELING RESISTANCE : 10gf-130gf (for 12~56mm)
- PEELING SPEED : 300mm/MINUTES



PULL OUT DIRECTION



300	8	2400
PCS/REEL	REEL/BOX	TOTAL Q' TY

GENERAL TOLERANCE		KINGCONN 皇海科技股份有限公司
X± 0.50	X*± 5°	
.X± 0.30	.X*± 2°	
.XX± 0.20	.XX*± 1°	名称(TITLE) SD4.0 PUSH H:3.10 REVERSE
单位(UNIT) mm	料号(PART NO.) 7SD40-FA-0008	图号(DWG NO.) 7SD40-FA-0008
审核(APPROVAL)	核 对(CHECKED)	製 图(DRAWN)
		比例 SCALE 1:1
		张数 SHEET 4/4
		更改 REV A

