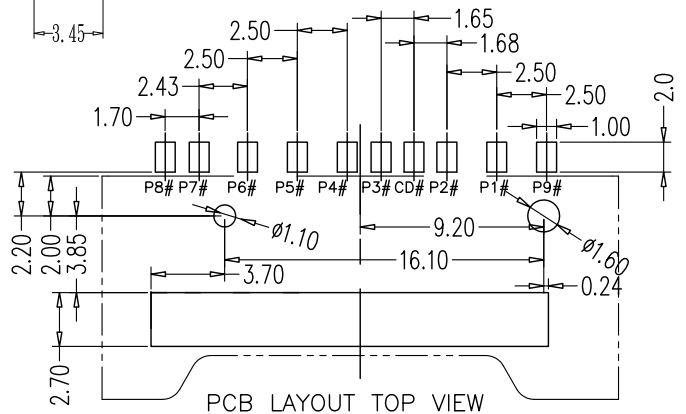
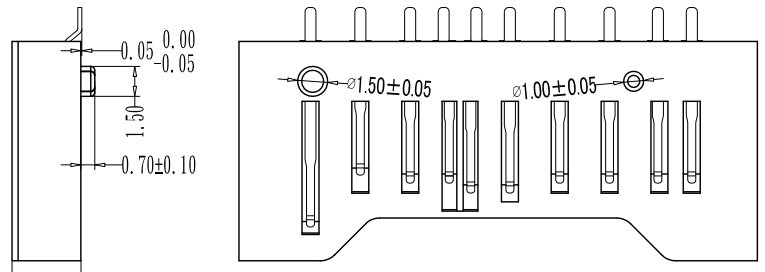
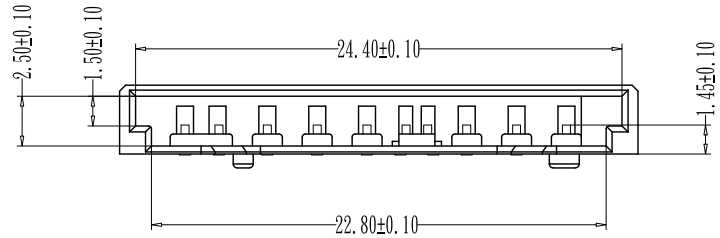
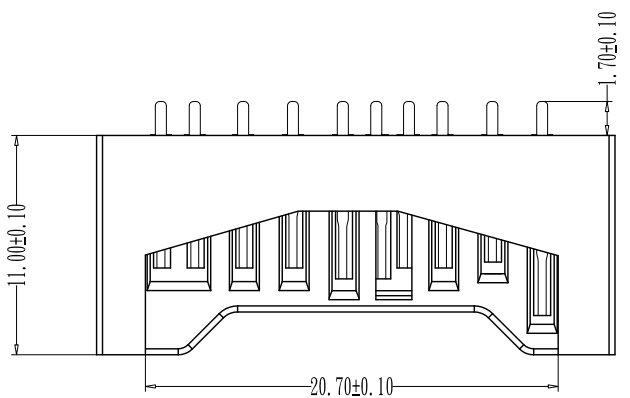
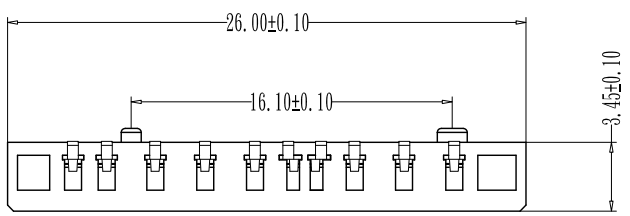


更改 REV	数量 MODIFICATION
A	ECXXXX

SPECIFICATION

- 1.ELECTRICAL CHARACTERISTICS:
 CONTACT CURRENT RATING:0.5 AMPERES.
 DIELECTRIC WITHSTANDING VOLTAGE:AC500VR.M.S.
 LLNSULATION RESISTANTE:1000m Ω MINIMUM.
 CONTACT RESISTANTE:30M Ω MAXIMUM.
- 2.MATERIAL:
 HOUSING:H1-TEMP PLASTIC LCP UL 94V-0 RATED
 CANTACT: COPPER ALLOY(T=0.20MM).



Pad Area
 Keep Out Area

PCB LAYOUT TOP VIEW
 (TOLERANCE:±0.05)

GENERAL TOLERANCE		KINGCONN 皇海科技股份有限公司
X± 0.50	X.*± 5 °	
X± 0.30	X.*± 2 °	
.XX± 0.20	.XX.*± 1 °	名 稱(TITLE) SD簡易式全塑黑色
單位(UNIT) mm	料 號(PART NO.) 7SDCN-FA-0013	圖 號(DWG NO.) 7SDCN-FA-0013
審核(APPROVAL)	核 對(CHECKED)	製 圖(DRAWN)
SCALE 1:1		張數 SHEET 1 / 1
PROJ.		更改 REV A

