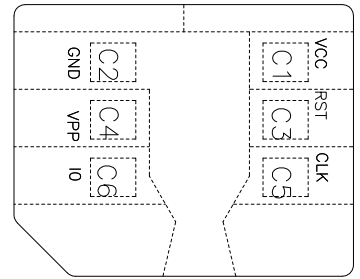
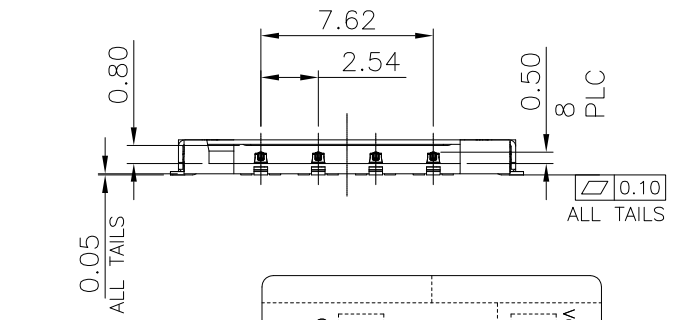
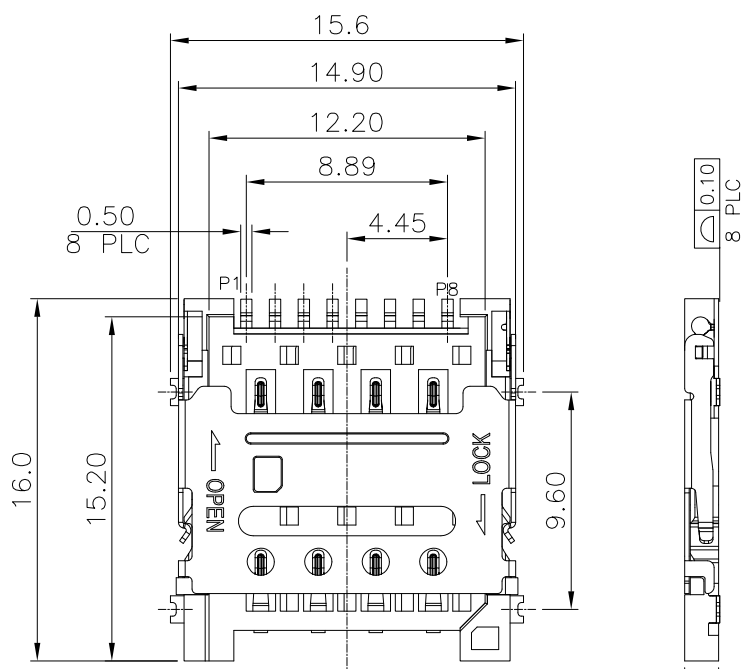


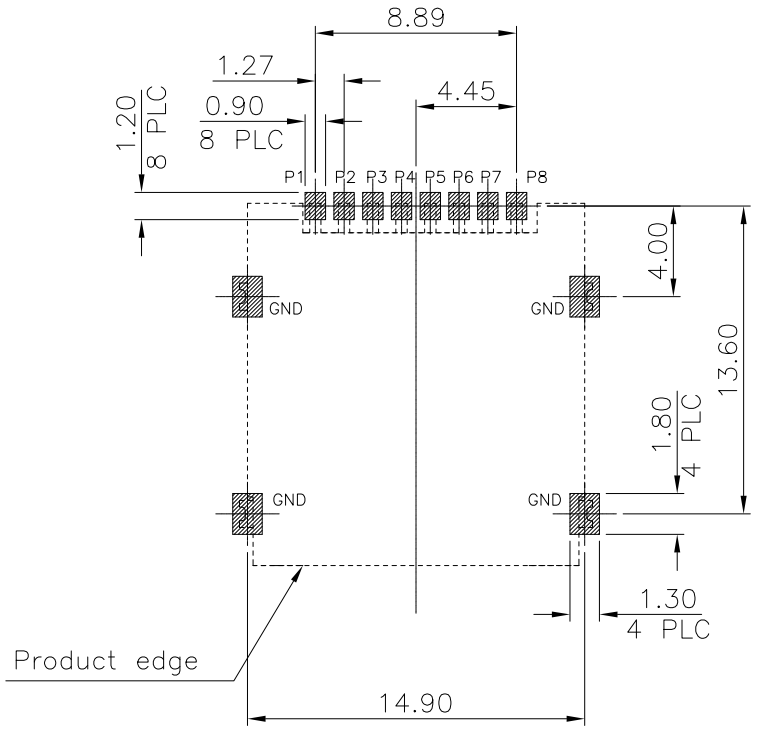
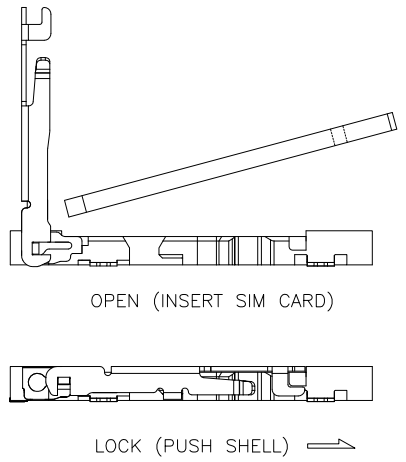
更改 REV	變更內容 MODIFICATION
A	ECXXXXX

NOTES:

- 1) MATERIAL:
HOUSING: HI-TEMP. PLASIC UL 94V-0
CONTACT: COPPER ALLOY
SHELL: STAINLESS STEEL
- 2) FINISH:
CONTACT: GOLD FLASH PLATED ON CONTACT AREA;
GOLD FLASH PLATED ON SOLDER TAILS,



芯片面朝下視圖



RECOMMENDED PCB LAYOUT(TOP VIEW)
GENERAL TOLERANCES: ±0.05

MICRO SIM CARD	
PIN NO.	DESCRIPTION
P1	VCC
P2	GND
P3	RST
P4	VPP
P5	CLK
P6	I/O
P7	RESERVED
P8	RESERVED



GENERAL TOLERANCE		KINGCONN 皇海科技股份有限公司
X ± 0.50	X* ± 5°	
.X ± 0.30	.X* ± 2°	
.XX ± 0.20	.XX* ± 1°	名稱(TITLE) MICRO SIM CARD 8PIN 1.5H (掀蓋式8X1PIN)
單位(UNIT) mm	料號(PART NO.) 7SIMC-AA-0006	圖號(DWG NO.) 7SIMC-AA-0006-A
審核(APPROVAL)	核對(CHECKED)	製圖(DRAWN)
SCALE 1:1		張數 SHEET 1/1
PROJ.		更改 REV A