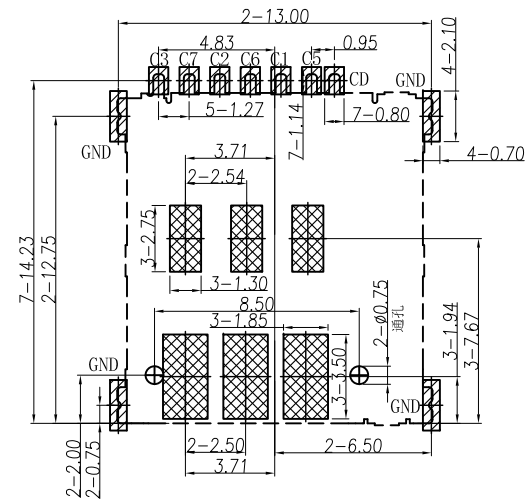
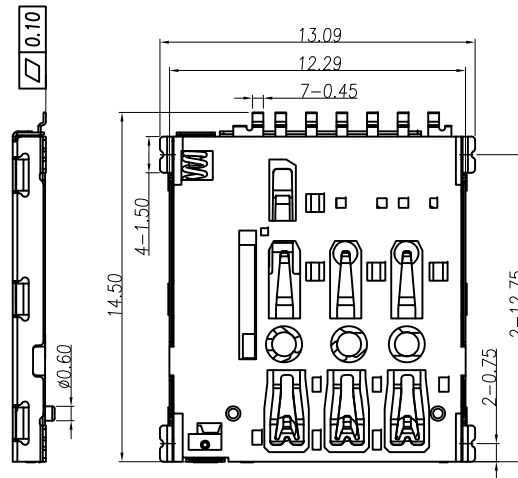
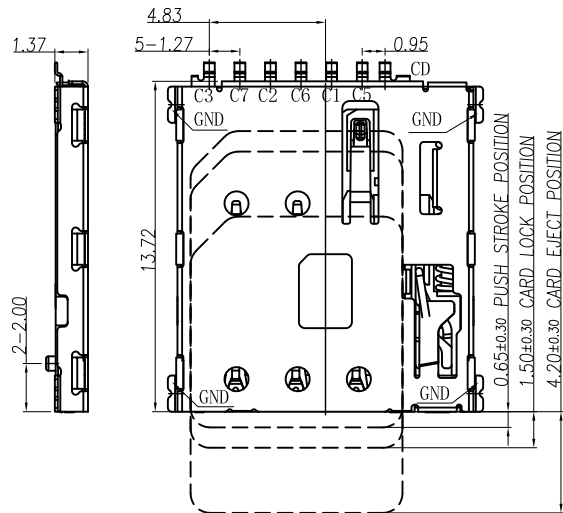
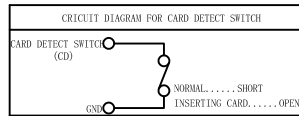


更改 REV	批號/內容	MODIFICATION
A	EC05998	A
B	EC06855	
C	EC07053	

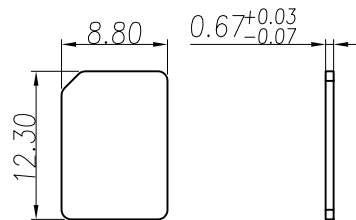


RECOMMENDED PCB LAYOUT
TOLERANCE: ±0.05

- SMT SOLDER AREA
- COPPER RESTRICTED AREA
- 1. TOUCH AREA OF CONTACT TIPS NO ELECTRICAL FUNCTION
- 2. NO FIRST PCB LAYOUT CIRCUITS IN THE AREA

Notes:

- Material:
 - Housing: High Temperature Thermoplastic
 - Terminal: Copper Alloy
 - Shell: Stainless Steel
- Plating:
 - Terminal: 50u" Ni Underplated Overall
 - G/F Plated On Contact Area
 - G/F Plated On Solder Area
 - Shell: 30u" Ni Underplated Overall
 - G/F Plated On Contact Area And older Area
- Technical Speciality:
 - Rated Voltage: 30V
 - Current Rating: 0.5A
 - Insulation Resistance: 1000MΩ Min.
 - Contact Resistance: 100mΩ Max.
 - Withstanding Voltage: 500V DC For 1 Minutes.
 - Operating Temperature: -40℃~+75℃ Humidity 80% R.H Max.



卡片尺寸
2:1

PIN/NO	ASSIGNMENT
C1	VCC
C2	RST
C3	CLK
C5	GND
C6	VPP
C7	I/O
CD	Detect Switch

GENERAL TOLERANCE		KINGCONN 皇海科技股份有限公司	
X.± 0.50		名稱(TITLE)	
.X± 0.30		NAND SIM CARD PUSH 7PIN 1.37H 帶CD PIN	
.XX± 0.20	GND	圖號(DWG NO.)	
單位(UNIT)		7SIMC-F0-0043	
mm		7SIMC-F0-0043-C	
審核(APPROVAL)		製圖(DRAWN)	
SCALE		比例(SHEET)	
1:1		1/1	
PROJ.		更改 REV	
		C	

