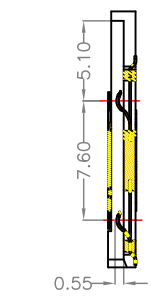
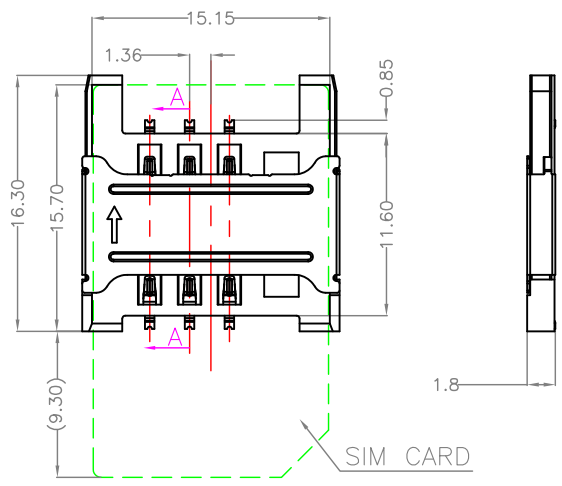
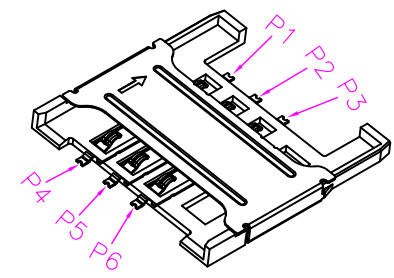


更改 REV	数量 MODIFICATION
A	ECXXXX

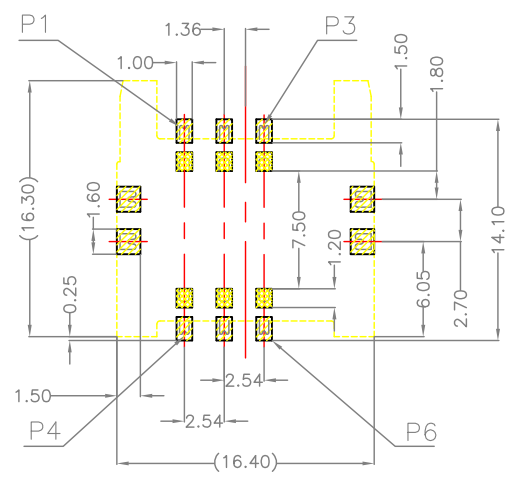
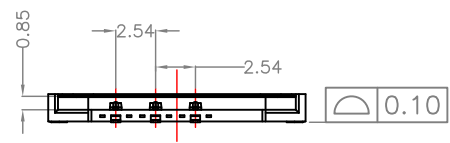


SECTION A-A



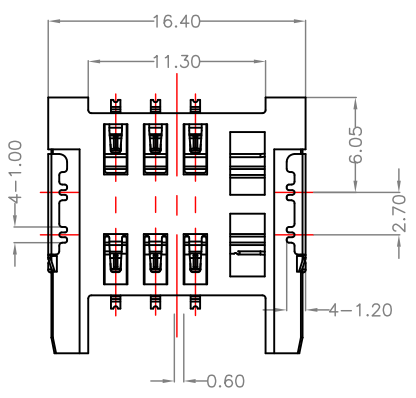
Sim Card Pin Assignment:

PIN NO.	NAME
1	C1:VCC
2	C2:RST
3	C3:CLK
4	C4:GND
5	C5:VPP
6	C6:DATA I/O



- THESE AREA SHOULD BE FREE OF ANY CONDUCTIVE TRACES
- SMT SOLDER AREA

RECOMMENDED PCB LAYOUT
GENERAL TOLERANCE ±0.05



SECIFICATIONS:

- 1) ELECTRICAL SPECIFICATIONS:
 - 1-1. VOLTAGE RATING: 50V
 - 1-2. CURRENT RATING: 1A
 - 1-3. INSULATION RESISTANCE: 1000MEG.OHM MIN
 - 1-4. CONTACT RESISTANCE: 50 MILL.OHM MAX
 - 1-5. WITHSTANDING VOLTAGE: 250V AC
 - 1-6. OPERATION TEMPERATURE: -20° TO +85°
 - 1-7. DURABILITY: 3000 CYCLES

GENERAL TOLERANCE		KINGCONN 皇海科技股份有限公司	
X± 0.50	X*± 5°	名 稱(TITLE) SIM card 6pin H:1.8mm	
X± 0.30	X*± 2°		
.XX± 0.20	.XX*± 1°		
單位(UNIT)	料 號(PART NO.)	圖 號(DWG NO.)	
mm	7SIMC-FA-0013	7SIMC-FA-0013-A	
審 核(APPROVAL)	核 數(CHECKED)	製 圖(DRAWN)	比 例 SCALE 1:1
			張 數 SHEET 1 / 1
			更 改 REV A

