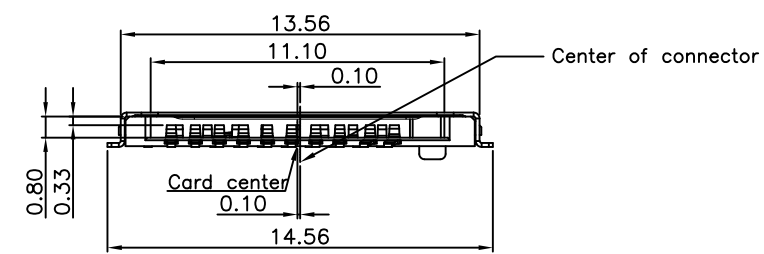
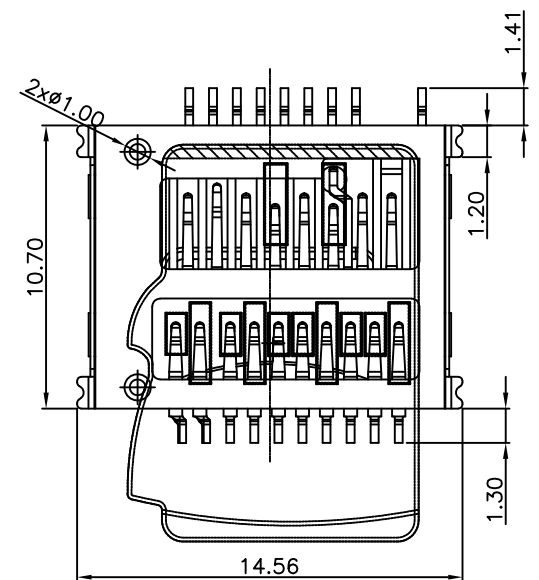
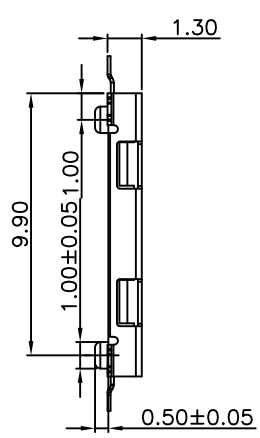
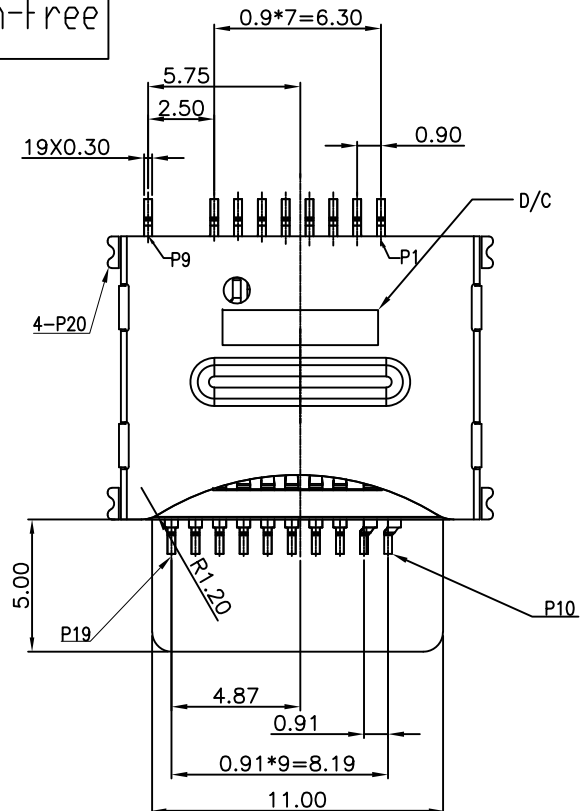


Halogen-Free

更改 REV	變更內容 MODIFICATION
A	EC05756
B	EC06082
C	EC09016



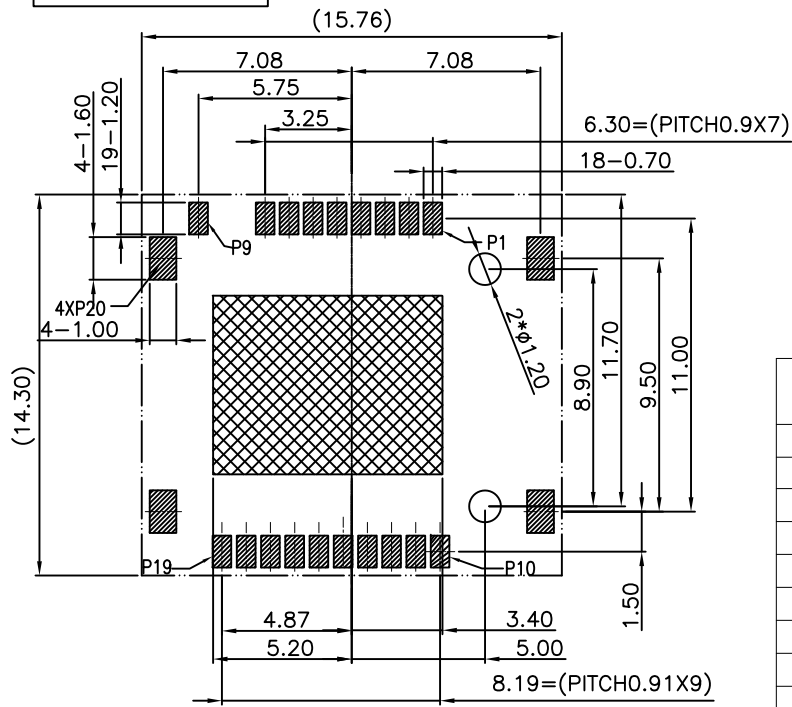
- NOTES:
- (1) MATERIAL:
 - 1-1. PLASTIC: LCP, THERMOPLASTIC UL 94V-0 COLOR: BLACK
 - 1-2. CONTACT: COPPER ALLOY C5210-H T=0.12mm
 - 1-3. SHELL: BASS C2680 T=0.15mm
 - (2) PLATING:
 - 2-1. CONTACT:
 - 2-1-1. CONTACT AREA: Au G/F PLATING OVER Ni
 - 2-1-2. SOLDER TAIL AREA: MATTE TIN 80~100u" OVER Ni
 - 2-2. SHELL:
 - 2-2-1. SOLDERABLE Ni PLATING OVER ALL
 - (3) CONTACT AND TAIL COPLANARITY TO BE 0.10mm MAX
 - (4) 4-1 符合RoHS2.0 & REACH。
 - 4-2 滿足24小時鹽霧試驗。
 - 4-3 IR REFLOW 260+/-5度C/10SECONDS.
 - 4-4 Lifetime: 5000 times

GENERAL TOLERANCE		KINGCONN 皇海科技股份有限公司
X± 0.50	X*± 5°	
.X± 0.30	.X*± 2°	
XX± 0.20	.XX*± 1°	名 稱(TITLE) UFS+TF4.0 NO PUSH H1.3
單 位(UNIT) mm	料 號(PART NO.) 7TFUFS-F0-0002	圖 號(DWG NO.) 7TFUFS-F0-0002
審 核(APPROVAL)	核 對(CHECKED)	製 圖(DRAWN)
		比 例 SCALE 1:1
		張 數 SHEET 1 / 2
		圖 號 REV C

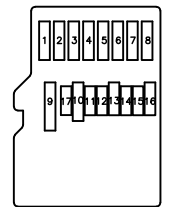
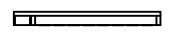


Halogen-Free

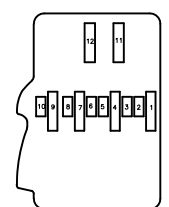
更改 REV	变更内容 MODIFICATION
A	EC05756
B	EC06082
C	EC09016



- PAD AREA
- VIA AND TRACE KEEPOUT AREA
- OTHER COMPONENT KEEPOUT AREA



Micro SD 4.0 CARD



UFS CARD

Pin Define

Connector PinNo.	MicroSD 4.0 Card Pin No.	Micro SD with UHS-II and SWIO support			UFS Card	
		Name	Type	Description	Card Pin No.	Name
P1	P1	DAT2	I/O	Data Line[Bit 2]		
P2	P2	CD/DAT3	I/O	Card Detect/Data Line[Bit 3]		
P3	P3	CMD	I/O	Command/Response		
P4	P4	V _{DD1}	S	Supply voltage(3.3V)	P12	VCC
P5	P5	CLK	I	Clock		
P6	P6	V _{SS}	S	Supply voltage ground	P11	VSS
P7	P7	DAT0/RCLK+	I/O	Data Line[Bit 0]/RCLK+		
P8	P8	DAT1/RCLK-	I/O	Data Line[Bit 1]/RCLK-		
P9		CD				
P10					P10	C/D(GND)
P11	P9	V _{DD2}	S	Supply voltage(1.8V)	P9	VCCQ2
P12	P17	SWIO	I	Single Wire Protocol Interface	P8	REF_CLK
P13	P10	V _{SS}	S	Supply voltage ground	P7	VSS
P14	P11	D0+	I/O	UHS-II D0+	P6	DOUT_T
P15	P12	D0-	I/O	UHS-II D0-	P5	DOUT_C
P16	P13	V _{SS}	S	Supply voltage ground	P4	VSS
P17	P14	D1-	I/O	UHS-II D1-	P3	DIN_T
P18	P15	D1+	I/O	UHS-II D1+	P2	DIN_C
P19	P16	V _{SS}	S	Supply voltage ground	P1	VSS
P20	GND		GROUND		GND	GROUND

GENERAL TOLERANCE	
X± 0.50	X*± 5°
.X± 0.30	.X*± 2°
.XX± 0.20	.XX*± 1°

KINGCONN 皇海科技股份有限公司
 名称(TITLE) UFS+TF4.0 NO PUSH H1.3

单位(UNIT) mm	料号(PART NO.) 7TFUFS-F0-0002	图号(DWG NO.) 7TFUFS-F0-0002
审核(APPROVAL)	核数(CHECKED)	制图(DRAWN)
比例(SCALE) 1:1	张数(SHEET) 2/2	更改(REV) C

