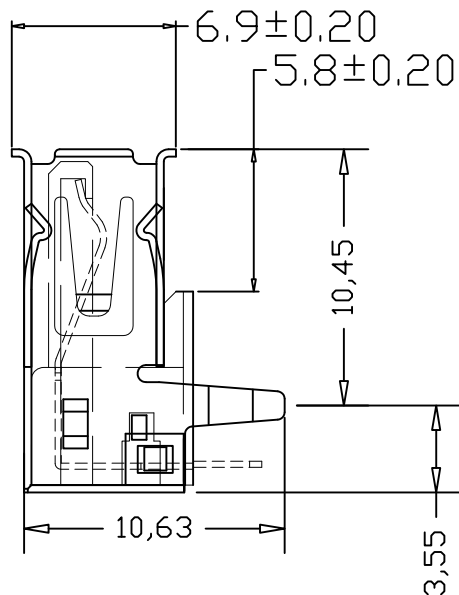
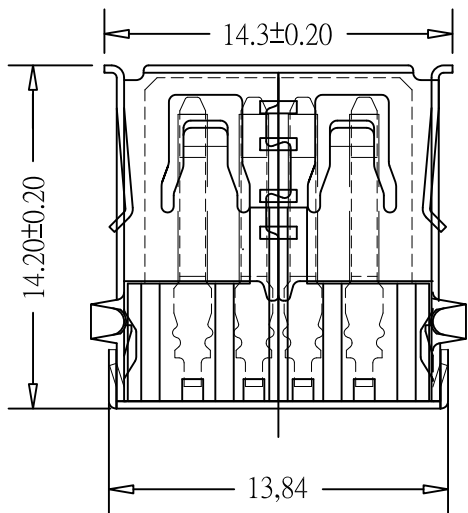


更改 REV	修改 MODIFICATION
A	ECXXXXX



Specifications:

Electrical:

- 1.Current Rating
1.5A/contact terminal
- 2.Voltage Rating
30V DC
- 3.Contact Resistance
30 milliohms MAX
- 4.Dielectnic Withstanding Voitage:
500 V AC AT Sea Level
- 5.Lnsulation Resistance:
1000MEGA ohms MIN

Mechanical:

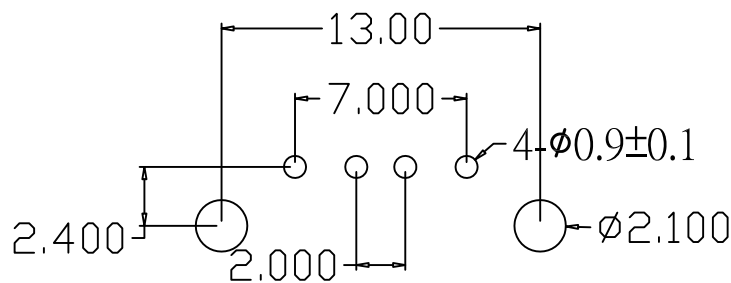
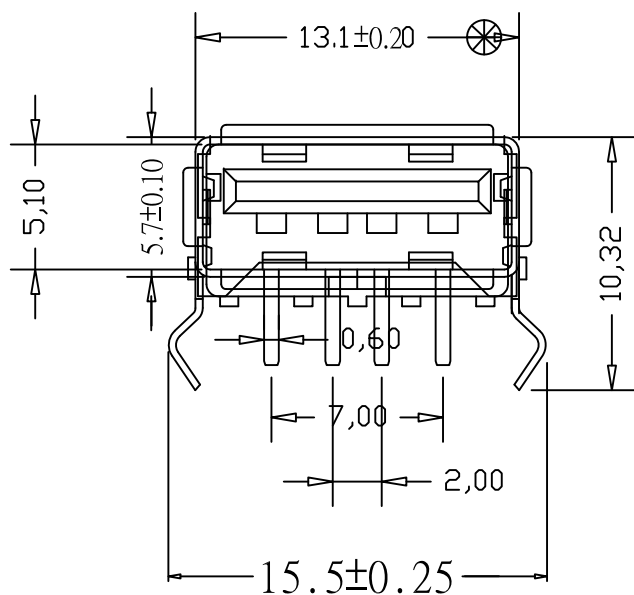
- 1.Cnnector Mate and Unmate Force
Mate force:3.57kgf(MAX)
Unmate force:1.02kgf(MIN)
- 2.Terminal Retenion
1.0kgf(MIN)

Material:

- 1.Housing:
Hing Temperature Tnermaplastics,
- 2.Contact:Copper Alloy
- 3.Shell: Copper Alloy

Finish:

- 1.Contact: Plated Gold in Mating Area;
Tin On Solder Talls
- 2.Shell:
Nickel Plating



GENERAL TOLERANCE		KINGCONN 皇海科技股份有限公司
X± 0.50	X.*± 5 °	
X± 0.30	.X*± 2 °	
.XX± 0.20	.XX*± 1 °	
		名 稱(TITLE) USB 2.0 DIP 90度 彎腳
單 位(UNIT) mm	料 號(PART NO.) 7USB2-F0-0003-I	圖 號(DWG NO.) 7USB2-F0-0003-I
審 核(APPROVAL)	核 對(CHECKED)	製 圖(DRAWN)
		比 例 SCALE 1:1
		張 數 SHEET 1 / 1
		更 改 REV A

