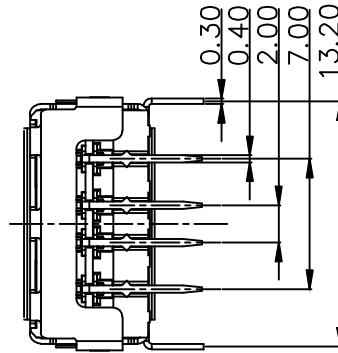
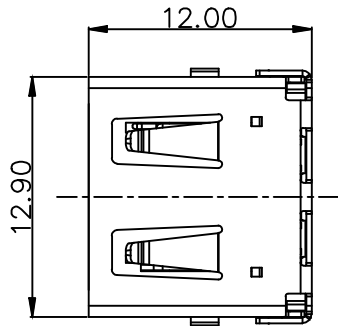
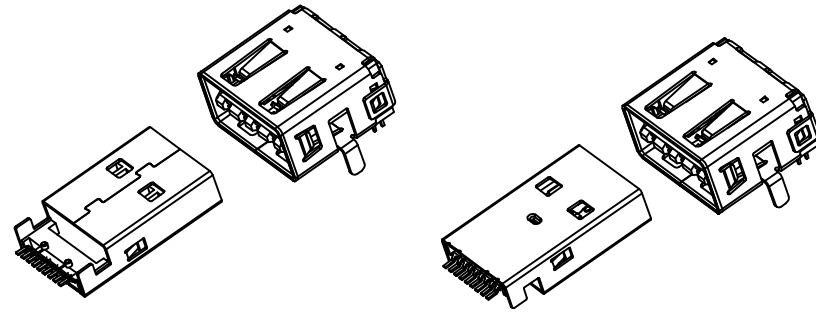
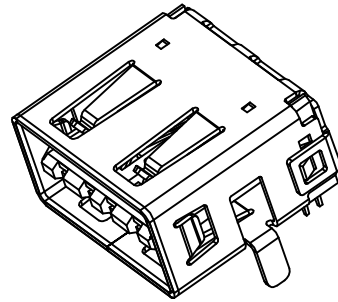
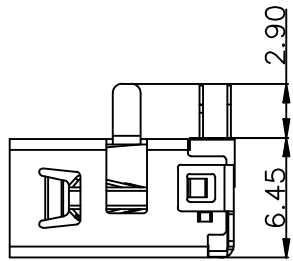
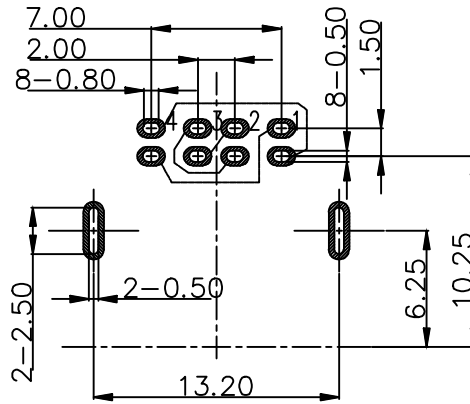
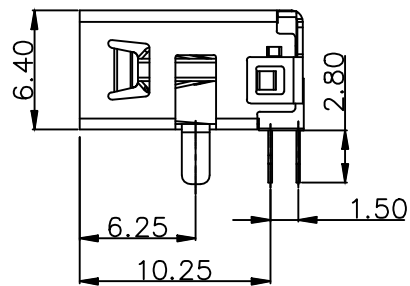


更改 REV	變更內容 MODIFICATION
A	ECXXXXX



NOTES:

- 1.MATERIAL:
  - 1.1 HOUSHING: THERMOPLASTIC COLOR: BLACK
  - 1.2 CONTACT: COPPER ALLOY
  - 1.3 SHELL: STAINLESS STEEL OR K7
2. PLATING;
  - CONTACT:
    1. GOLD FLASH CONTACT AREA;120u" TIN SOLDER;NICKEL OVER A SHELL: NICKEL OVER ALL
- 3.ENVIRONMENTAL:
  - OPERATION TEMPERATURE: -40°C~+85°C
- 4.PRODUCT COMPLIANT TO THE REQUEST OF RoHS



PCB LAYOUT T=2.1mm(max)  
TOP VIEW TOLERANCE: ±0.1mm

GENERAL TOLERANCE		KINGCONN 皇海科技股份有限公司	
X± 0.50	X*± 5°	名稱(TITLE) USB 2.0 A TYPE 雙向插 母座版端 DIP型 無捲邊	
.X± 0.30	.X*± 2°		
.XX± 0.20	.XX*± 1°		
單位(UNIT) mm	料號(PART NO.) 7USB2-F0-0033	圖號(DWG NO.) 7USB2-F0-0033	張數(SHEET) 1 / 1
審核(APPROVAL)	核對(CHECKED)	製圖(DRAWN)	更改(REV) A

