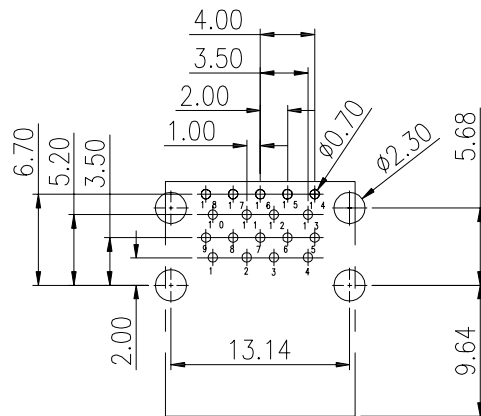
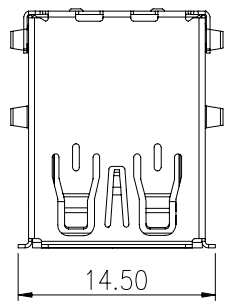


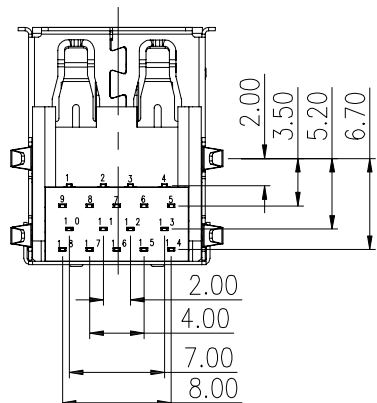
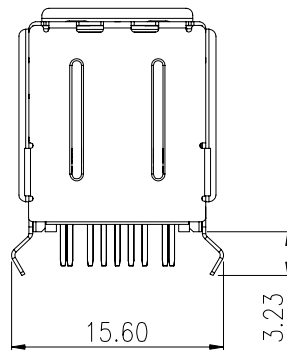
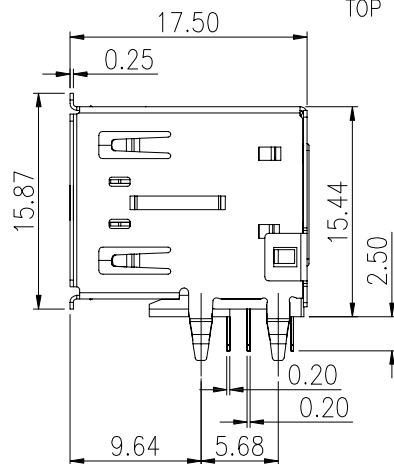
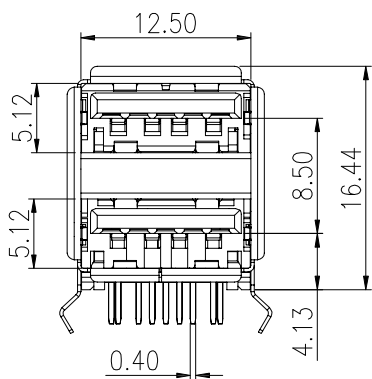
更改 REV	變更內容 MODIFICATION
A	ECXXXXX



RECOMMENDED P.C.B. HOLE LAYOUT  
TOP VIEW(TOLERANCE:±0.05)

NOTE:

- MATERIAL:  
USB 3.0 HOUSING: HIGH TEMPERATURE THERMOPLASTIC , GLASS FIBER FILLED, UL94V-0, COLOR : BLUE.  
CONTACTS: COPPER ALLOY  
SHELL: COPPER ALLOY  
REAR SHELL: SUS  
ISOLATED: COPPER ALLOY
- FINISH:  
CONTACTS: GOLD(SEE TABLE) FLASH PLATING IN CONTACT AREA,  
100  $\mu$ " MIN. MATTE-TIN PLATING ON SOLDER TAILS.  
50  $\mu$ " MIN. NICKEL UNDERPLATING OVER ALL.  
SHELL: 100  $\mu$ " MIN. NICKEL PLATING.  
ISOLATED: SHELL: 100  $\mu$ " MIN. NICKEL PLATED.



GENERAL TOLERANCE	
X± 0.50	X*± 5°
.X± 0.30	.X*± 2°
.XX± 0.20	.XX*± 1°

KINGCONN	皇海科技股份有限公司
名稱(TITLE)	
USB3.0*2 90度卷邊彎腳	

單位(UNIT)	料號(PART NO)	圖號(DWG NO)
mm	7USB3-F0-2001	7USB3-F0-2001
審核(APPROVAL)	核對(CHECKED)	製圖(DRAWN)
比例(SCALE)	1:1	張數(SHEET)
圖號(PROJ.)		1 / 1
		更改(REV)
		A

