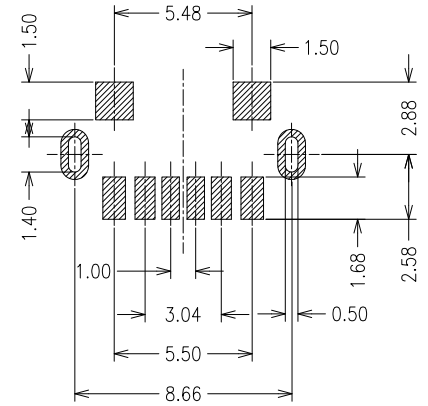
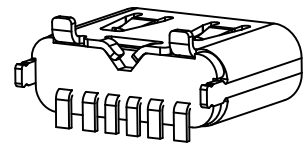
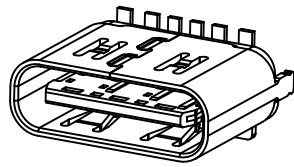
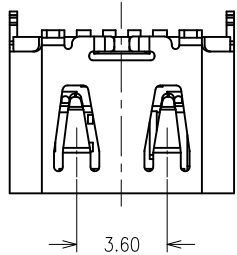
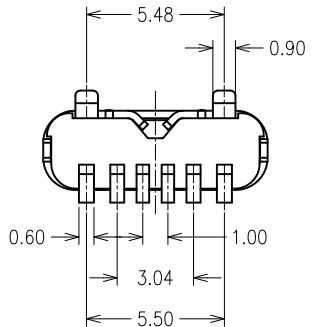
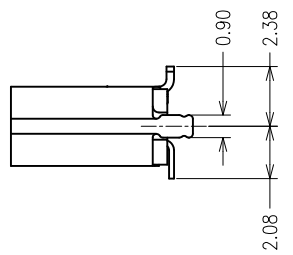
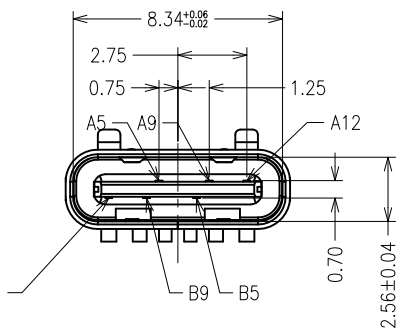


| | |
|-----------|----------------------|
| 更改 REV | 设计代号 MODIFICATION |
| A | ECXXXXX |



RECOMMENDED P.C.B. LAYOUT
TOLERANCE UNSPECIFIED ±0.05mm



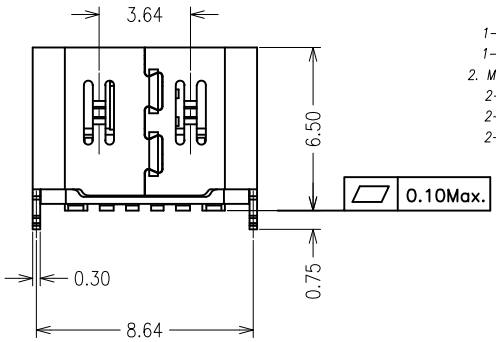
SPECIFICATION

1. ELECTRICAL CHARACTERISTICS:

- 1-1. VOLTAGE&CURRENT RATING:DC 30V MAX&3A
- 1-2. CONTACT RESISTANCE: 40mΩ MAX INITIAL.
- 1-3. INSULATION RESISTANCE: 1000MΩ MIN FOR VOLTAGE 100VDC.
- 1-4. DIELECTRIC WITHSTAND: 100V AC for 1 MINUTE
- 1-5. OPERATING TEMPERATURE: -25°C~+85°C

2. MECHANICAL CHARACTERISTICS:

- 2-1. INSERT FORCE: 5~20N Max
- 2-2. WITHDRAW FORCE: 5~20N Min
- 2-3. LIFE TEST :3,000 CYCLES



| | | |
|-------------------|--------------------------------|---|
| GENERAL TOLERANCE | | KINGCONN 皇海科技股份有限公司 |
| X± 0.50 | X*± 5° | |
| .X± 0.30 | .X*± 2° | |
| .XX± 0.20 | .XX*± 1° | 名称(TITLE) TYPE C 6pin 180° SMT H:6.5mm |
| 单位(UNIT) mm | 料号(PART NO.) 7USB31-F0-0002 | 图号(DWG NO.) 7USB31-F0-0002 |
| 审核(APPROVAL) | 检查(CHECKED) | 制图(DRAWN) |
| SCALE 1:1 | | 张数(SHEET) 1/1 |
| PROJ. | | 更改(REV) A |

