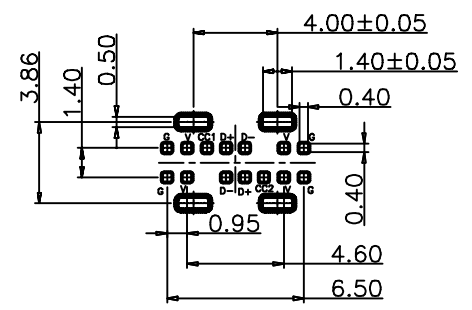
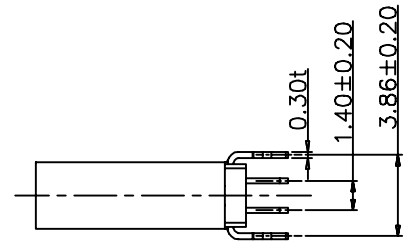
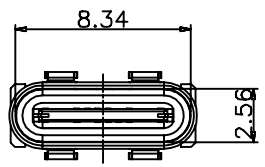
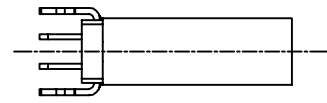
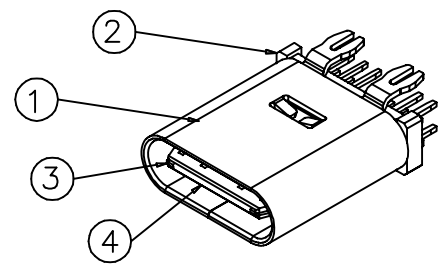
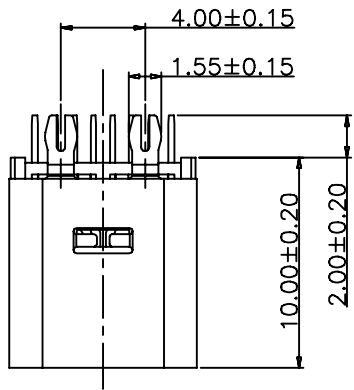
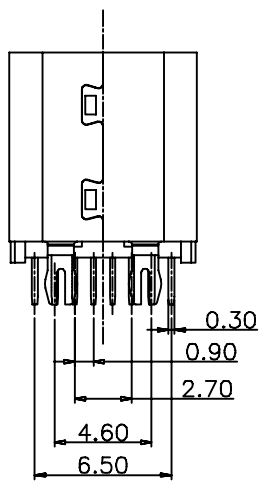


更改 REV	變更內容 MODIFICATION
A	ECXXXXX



RECOMMENDED P.C.B. LAYOUT
TOLERANCE UNSPECIFIED ±0.05mm



NO.	DESCRIPTION	MATERIAL	COLOR	REMARK
4	TYPE C MD	HIGH TEMP	BLACK	UL 94V-0
3	CENTER PIECE	STAINLESS STEEL	—	NO Plated
2	TYPE C TERMINAL	COPPER ALLOY	—	Gold Plated
1	SHELL	STAINLESS STEEL	—	Ni Plated

GENERAL TOLERANCE		KINGCONN 皇海科技股份有限公司	
X± 0.50	X°± 5°	名稱/TITLE TYPE C FEMALE 14PIN 180°	
.X± 0.30	.X°± 2°		
.XX± 0.20	.XX°± 1°		
單位(UNIT) mm	料號(PART NO.) 7USB31-F0-0005	圖號(DWG NO.) 7USB31-F0-0005	
審核(APPROVAL)	核對(CHECKED)	製圖(DRAWN)	比例(SCALE) 1:1 張數(SHEET) 1/1 更改(REV) A