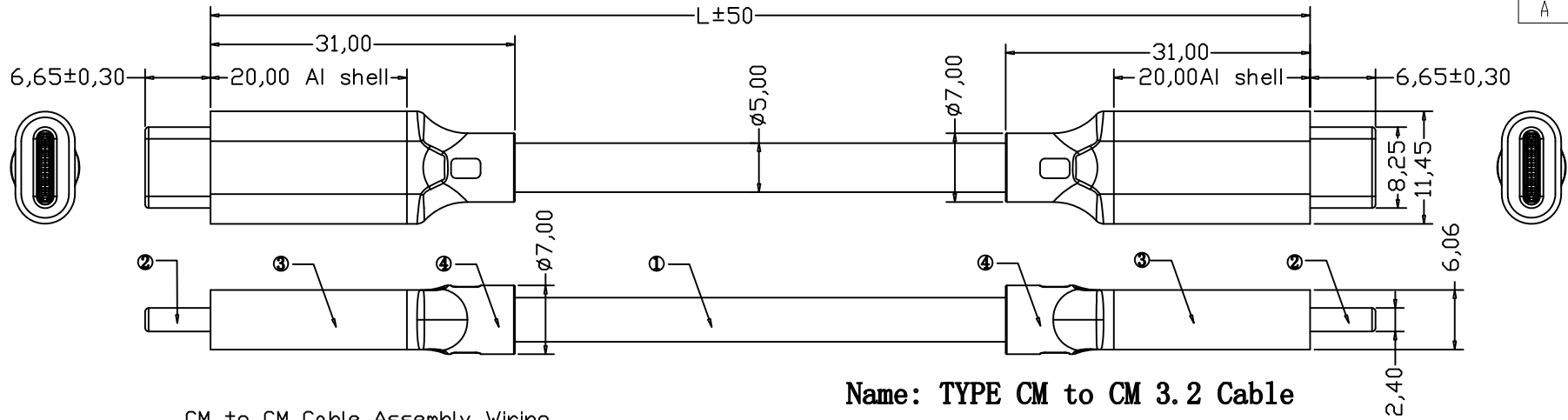
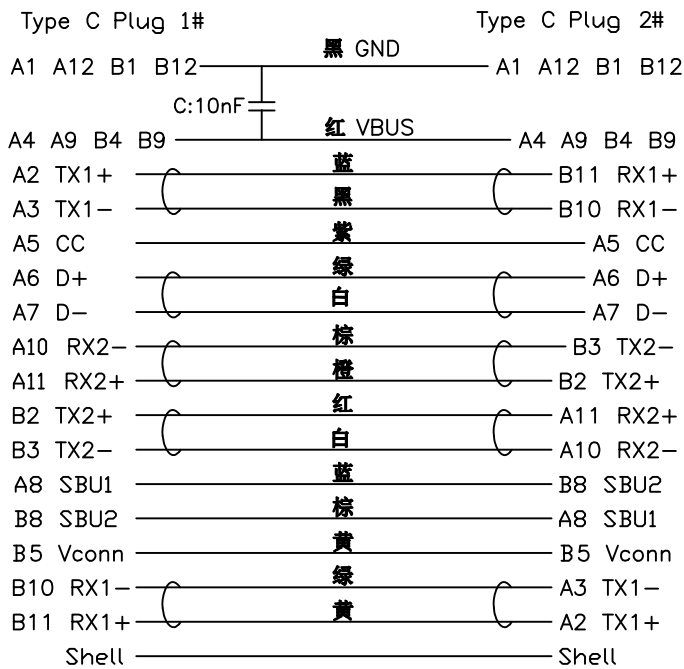


更改 REV	变更记录 MODIFICATION
A	ECXXXXX



CM to CM Cable Assembly Wiring
UL 2725(1P*32#+AM)*4+1P*32#+4C*32#+2C*22#+ADB 0D5.0



Name: TYPE CM to CM 3.2 Cable

Current: 5A Max

Voltage: 20V Max

Power: 100W Max

Data rate: 20GBbps

Durability: 5000 times

Operating temperature: - 40 ° C to 85 ° C

E-Marker:HUSB332A

PVC45P Color Black	2	Inner molding	4
Al shell 20MM	2	shell	3
Type-C Plug 24PIN+PCBA +eMark (HUSB332A 1pcs)	1+1	Connector	2
UL 2725(1P*32#+AM)*4+1P*32#+ 4C*32#+2C*22#+ADB 0D5.0	1	Cable	1
Spec Description	Quantity	Part Name	NO.

GENERAL TOLERANCE		KINGCONN 皇海科技股份有限公司	
X± 0.50	X*± 5 °	名 称(TITLE) Type-CM to CM with E-marker Cable	
.X± 0.30	.X*± 2 °		
.XX± 0.20	.XX*± 1 °		
单 位(UNIT)	科 号(PART NO.)	图 号(DWG NO.)	
mm	7USB331L-F0-0005-XXX	7USB331L-F0-0005-XXX	
审 核(APPROVAL)	核 对(CHECKED)	製 图(DRAWING)	比 例 SCALE 1:1
			张 数 SHEET 1/1
			更 改 REV A

