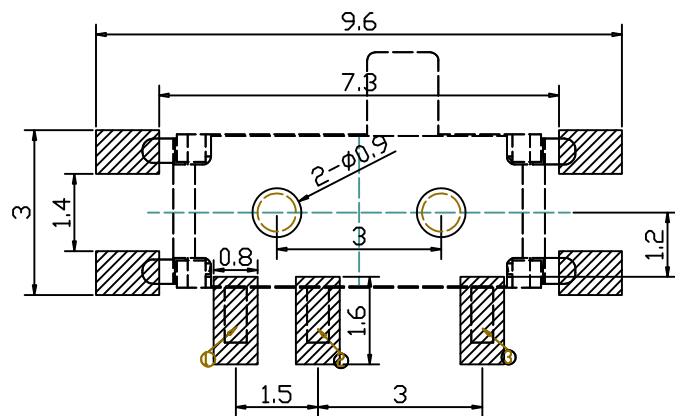
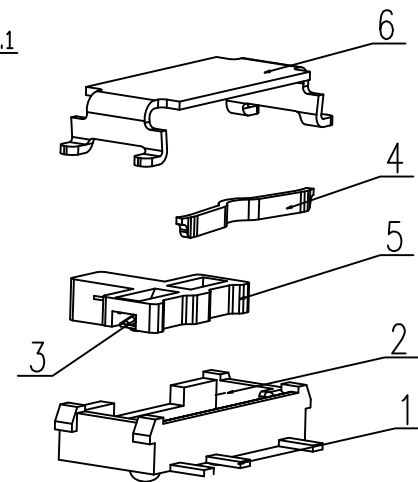
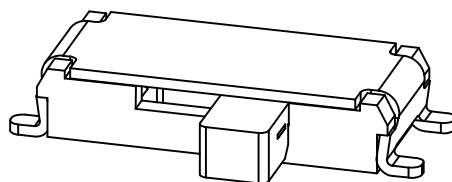
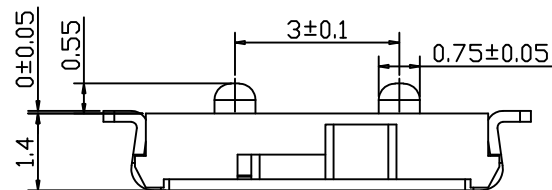
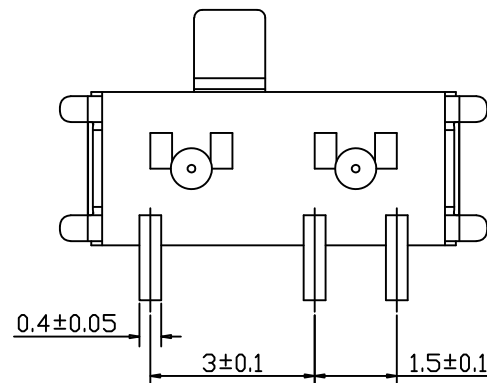
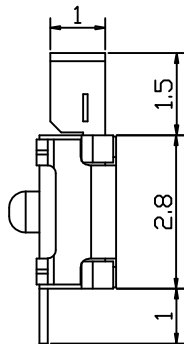
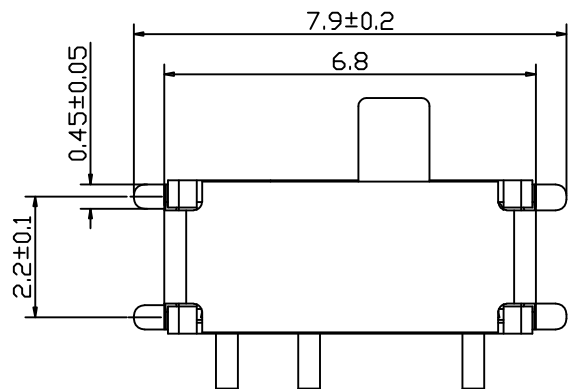


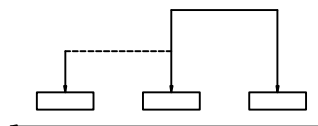
更改 REV	變更內容 MODIFICATION
A	EC07182
B	EC12707

NOTE :

1. Rated Current: DC5V 0.3A.
2. Insulation Resistance: $\geq 100M\Omega$ 100V DC/1min.
3. Compressive strength: AC250V 50Hz/1min.
4. Temperature Range: $-40^{\circ}C \sim 85^{\circ}C$.
5. Mechanical Life: 10,000 cycles .
6. Contact resistance: $\leq 100M\Omega$ MAX.
7. Operation Stroke: $1.5 \pm 0.2mm$.



P. C. B MOUNTING PATTERN DIMENSION



CIRCUIT DIAGRAM

NO.	NAME	MATERIAL	QUANTITY	REMARKS
1	TERMINAL	COPPER ALLOY	1	AG PLATED
2	CASE	PPA	1	UL-94HB
3	CONTACT	COPPER ALLOY	1	AG PLATED
4	SHRAPNAL	STAINLESS STEEL	1	-
5	STEM	PPA	1	UL-94HB
6	COVER	COPPER ALLOY	1	AG PLATED

GENERAL TOLERANCE		KINGCONN	皇海科技股份有限公司	
X± 0.50	X*± 5 °			
.X± 0.30	.X*± 2 °			
.XX± 0.20	.XX*± 1 °			
		名稱(TITLE)		
		撥動開關		
單位(UNIT)	料號(PART NO.)	圖號(DWG NO.)		
mm	7WHTF-F0-0063	7WHTF-F0-0063		
審核(APPROVAL)	核對(CHECKED)	製圖(DRAWN)	比例 SCALE 1:1	張數 SHEET 1/1
			圖號 PROJ.	更改 REV B

