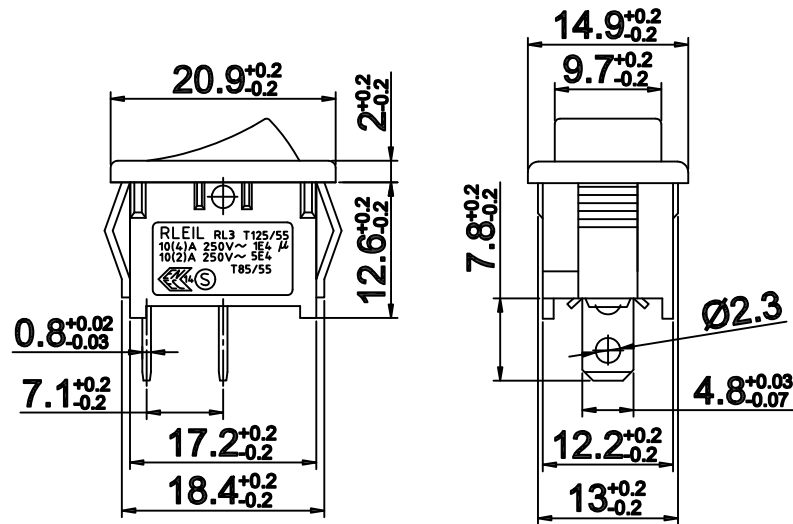
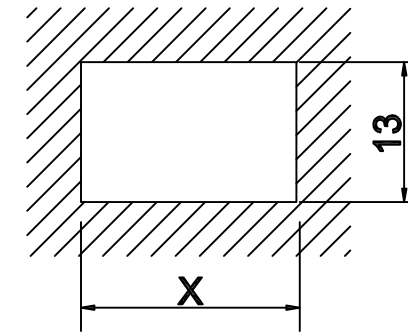


更改 REV	註 MODIFICATION
A	ECXXXXX

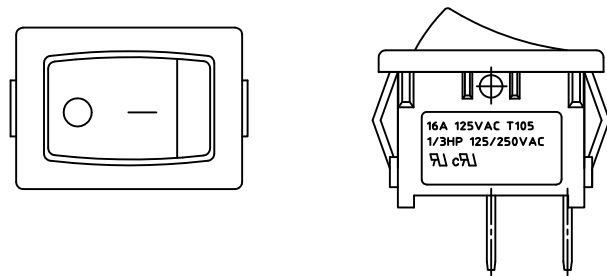
# PANEL HOLE SIZE

Panel thickness	X
0.75-1.25	19.2
1.25-2.0	19.4
2.0-3.0	19.6



# SPECIFICATION

- RATING: UL C-UL:16A 125VAC  
ENEC SEMKO:  
10(4)A 250VAC T125/55 1E4  
10(2)A 250VAC T85/55 5E4
- CIRCUIT: ON-OFF SPST 2P
- CONTACT RESISTANCE: 30m OHMS Max
- INSULATION RESISTANCE: DC500V 100M OHMS Min
- WITHSTAND VOLTAGE: AC 1500V 1 Minute
- ELECTRICAL LIFE: 50000 Cycles at Full Load
- OPERATION FORCE: 300~800gf
- OPERATION TEMPERATURE RANGE: -25~+125° C



# MATERIALS

- HOUSING: Nylon #66 UL 94V-2
- ROCKER: Nylon #66 UL 94V-2
- TERMINAL: Copper Alloy Ag plated
- CONTACTOR: AgSnO<sub>2</sub>In<sub>2</sub>O<sub>3</sub> (10) /Cu



GENERAL TOLERANCE		KINGCONN 皇海科技股份有限公司	
X± 0.50	X*± 5°	名稱(TITLE) ROCKER SWITCH	
X± 0.30	X*± 2°		
.XX± 0.20	.XX*± 1°		
單位(UNIT) mm	料號(PART NO.) 7WHITE-F0-3038	圖號(DWG NO.) 7WHITE-F0-3038-A	
審核(APPROVAL)	核對(CHECKED)	製圖(DRAWN)	比例 SCALE 1:1 張數 SHEET 1/1 更改 REV A